

**GENERAL NOTES: FLORIDA BUILDING CODE 2007**

1- CODE: THIS PRODUCT HAS BEEN TESTED AND DESIGNED IN ACCORDANCE WITH THE FLORIDA BUILDING CODE 2007 INCLUDING THE HIGH VELOCITY HURRICANE ZONE (HVHZ).

2- DEFINITION: THIS PRODUCT IS A CASEMENT OUT TYPE WINDOW DESIGNED, CONSTRUCTED AND TESTED TO PROVIDE PROTECTION FROM HURRICANE FORCE WINDS AND WIND BORNE DEBRIS (SMALL MISSILE) WITHIN THE ALLOWABLE DESIGNED PRESSURES AND LIMITATIONS STATED IN THIS APPROVAL. INSTALLATION BELOW 30 FEET ELEVATION IT WILL REQUIRE APPROVED HURRICANE PROTECTION DEVICES.

3- POSTING:

"NR ARCHITECTURAL PRODUCTS, INC.  
WEST PALM BEACH - FLORIDA  
MIAMI-DADE COUNTY PRODUCT CONTROL APPROVED"

4- DESIGN LOADS: THE DESIGNED LOADS MUST BE CALCULATED BY A PROFESSIONAL ARCHITECT OR ENGINEER FOR EACH SPECIFIC PROJECT. THE CALCULATED DESIGNED PRESSURE MUST NOT EXCEED THE ALLOWABLE WINDOW PRESSURE.

5- MATERIAL: GLAZING TO BE IMPACT LAMINATED GLASS AS SPECIFIED ON THIS APPROVAL.

6- FASTENERS: ASSEMBLY SCREWS AND ANCHORS SHALL BE AS SPECIFIED IN THE CURRENT SET OF DRAWINGS. INSTALLATION AND LOADS AS PER THIS APPROVAL. ANCHOR QUANTITY & SPACING MUST NOT EXCEED THE MAXIMUM LIMITS SPECIFIED BY THIS APPROVAL.

7- USE: IT SHALL BE THE RESPONSIBILITY OF THE CONTRACTOR, ARCHITECT OR ENGINEER OF RECORD TO VERIFY THE FOLLOWING:

7.1- THE STABILITY OF THE STRUCTURE WHERE THE PRODUCT IS TO BE ATTACHED INSURING PROPER ANCHORAGE.

7.2- THE SITE SPECIFIC PROJECT CRITERIA, SUCH AS BUT NOT LIMITED TO, LOCAL CODE REQUIREMENTS, DESIGNED PRESSURES ETC.

7.3- THAT THIS APPROVAL IS ADEQUATE TO THE SPECIFIC PROJECT.

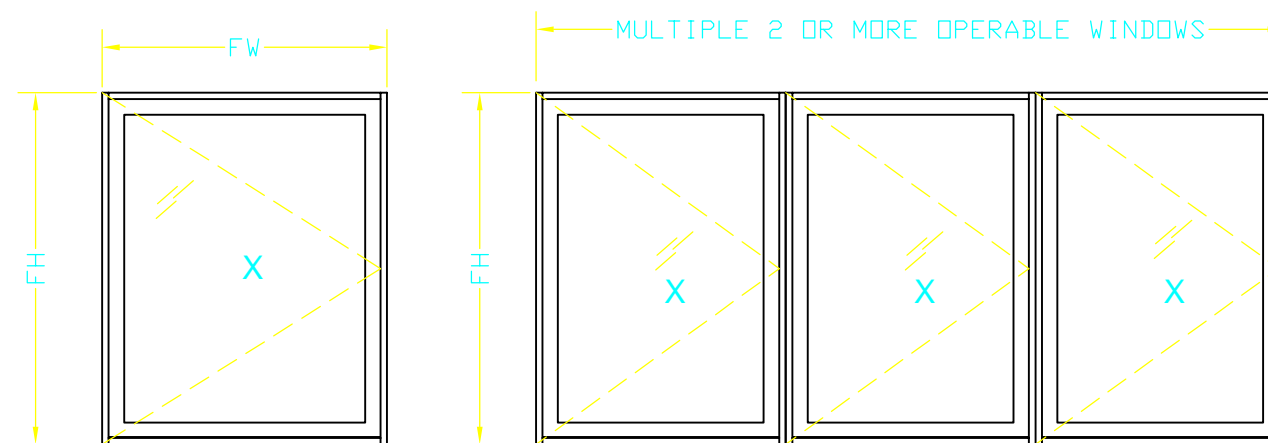
8- 33 1/3% INCREASE IN ALLOWABLE LOADS HAVE NOT BEEN USED IN THE DESIGN OF THE ANCHORS FOR THIS PRODUCT APPROVAL, HOWEVER, WOOD SCREWS WITH 1.6 INCREASE FOR WIND LOAD DURATION HAVE BEEN USED.

9- DISSIMILAR MATERIALS: MATERIALS, INCLUDING BUT NOT LIMITED TO STEEL, THAT COME IN CONTACT WITH OTHER DISSIMILAR MATERIALS SHALL MEET THE REQUIREMENTS OF 2007 FLORIDA BUILDING CODE.

**FOR ALLOWABLE SIZES AND PRESSURES REFER TO:  
SHEETS 2 AND 3**

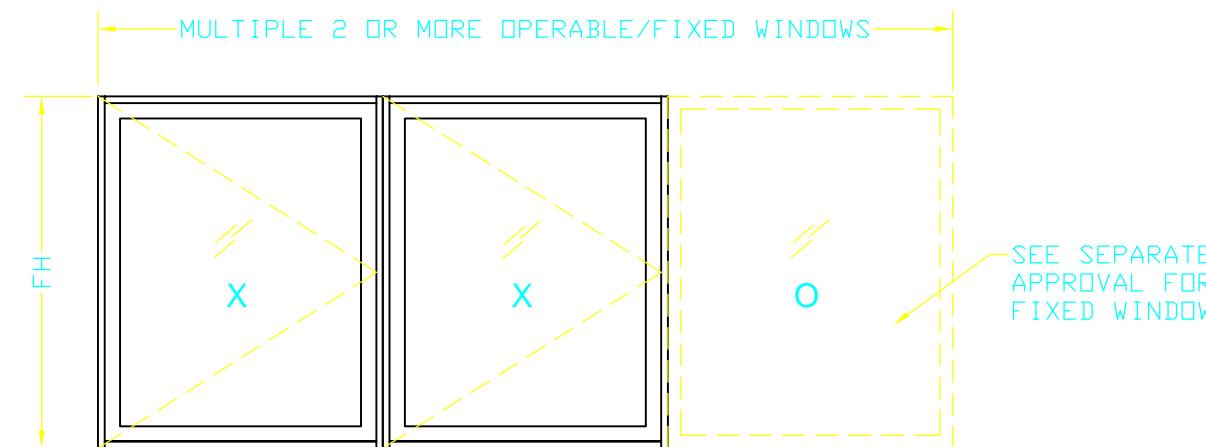
**PRODUCT NOT TO BE INSTALLED BELOW 30 FEET ELEVATION  
WITHOUT HURRICANE PROTECTION DEVICES**

**TYPICAL ELEVATIONS**



(X) SINGLE CASEMENT OUT WINDOW SEE SHEET 2 FOR RATING

(XX, XXX, XXXn) MULTIPLE CASEMENT OUT WINDOWS SEE SHEET 3 FOR RATING



(XO, XOX, OXO, OXXOXn) MULTIPLE COMBINATION OF CASEMENT OUT AND FIXED WINDOWS SEE SHEET 3 FOR RATING

**TABLE OF CONTENTS:**

SHEET	DESCRIPTION
1 of 9	GENERAL NOTES, INDEX AND TYPICAL ELEVATIONS
2 of 9	TABLE 1 DESIGN RATING FOR SINGLE CASEMENT OUT UNITS
3 of 9	TABLE 2 DESIGN RATING FOR MULTIPLE WINDOWS UNITS
4 of 9	TYPICAL DETAILS
5 of 9	TYPICAL DETAILS, CORNER ASSEMBLY
6 of 9	ANCHORAGE LAY-OUT WITH STRAPS
7 of 9	ANCHORAGE LAY-OUT WITH SHEAR CLIP
8 of 9	WINDOW COMPONENTS AND BILL OF MATERIAL
9 of 9	HARDWARE SCHEDULE, GLAZING DETAILS & WEEP HOLES

MANUFACTURER:

**NR**

**ARCHITECTURAL PRODUCTS, INC.**

4348 WESTROADS DRIVE  
WEST PALM BEACH  
FLORIDA - 33407  
WWW.NRWINDOWS.COM  
PH.: (561) 844-1121  
FAX: (561) 844-6131

PRODUCT:

**NRAP 2500-CO**  
CASEMENT OUT WINDOW  
SMALL MISSILE IMPACT

Engineering:

**EngCo Inc.**

CA 8116  
6971 W. Sunrise Blvd. 104  
Plantation, Fl. 33313  
ENGCO@AOL.COM

Engineer Seal  
Pedro De Figueiredo  
PE 52609

DRAFTING:

**PK DRAFTING & MORE**

MIAMI-DADE BCCO:

Date: 05/09/2009  
Scale: NA  
Design by: PPMF

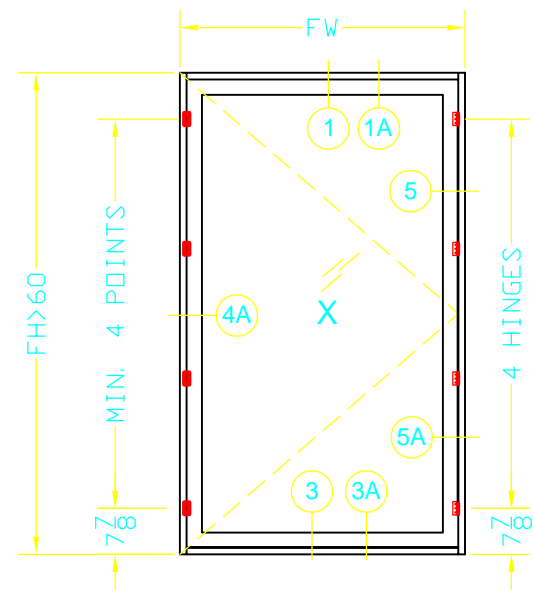
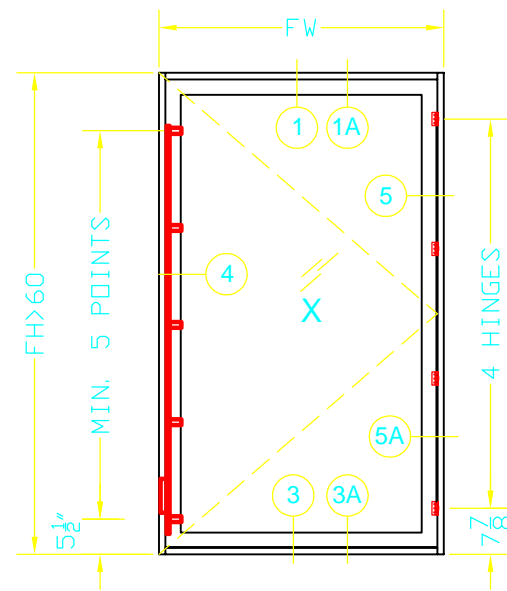
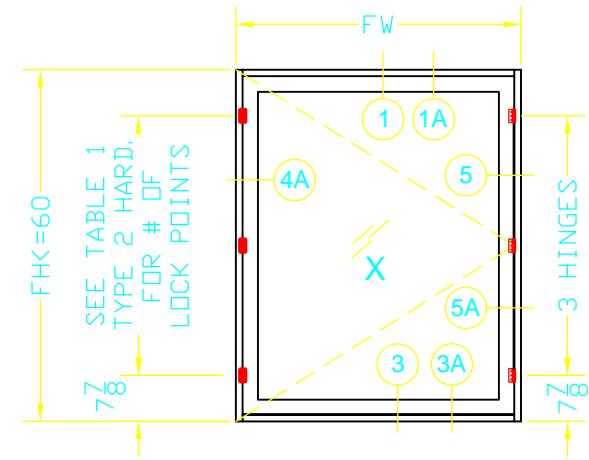
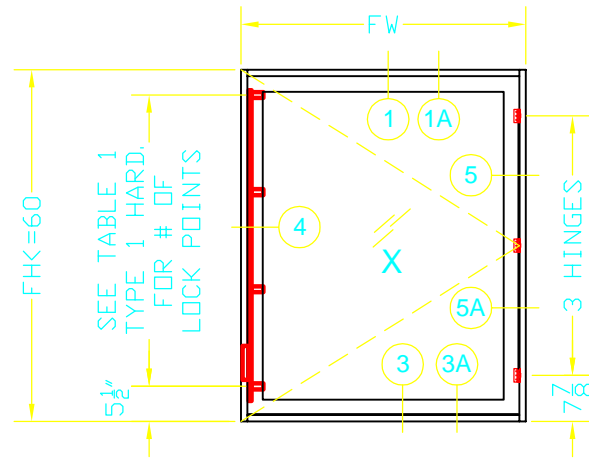
Drawing Number  
**09-090**

SHEET  
**1 of 9**

**TABLE 1  
DESIGNED RATING FOR  
SINGLE CASEMENT OUT UNITS (PSF)**

MAX. FW	FRAME FH	HARDWARE TYPE 1			HARDWARE TYPE 2		
		PRESSURES EXT (+)	INT (-)	LOCK POINTS	PRESSURES EXT (+)	INT (-)	LOCK POINTS
32	38	120	120	3	120	120	3
	42	120	120	3	120	120	3
	48	120	120	4	120	120	3
	54	117	117	4	120	120	3
	60	101	101	4	120	120	3
	66	89	89	5	118	118	4
38.75	38	120	120	3	120	120	3
	42	120	120	3	120	120	3
	48	120	120	4	120	120	3
	54	106	106	4	120	120	3
	60	90	90	4	120	120	3
	66	78	78	5	86	86	4
44	38	105	105	3	105	105	3
	42	101	101	3	101	101	3
	48	101	101	4	101	101	3
	54	92	92	4	92	92	3
	60	83	83	4	83	83	3
	66	73	73	5	75	75	4
48.625	38	80	80	3	80	80	3
	42	77	77	3	77	77	3
	48	75	75	4	75	75	3
	54	75	75	4	75	75	3
	60	75	75	4	75	75	3
54	38	50	50	3	50	50	3
	42	47	47	3	47	47	3
	48	45	45	4	45	45	3
	54	44	44	4	44	44	3

FW- FRAME WIDTH IN INCHES  
FH- FRAME HEIGHT IN INCHES  
PRESSURES IN PSF  
SEE ELEVATIONS ON THE RIGHT SIDE FOR HARDWARE TYPE



(X) SINGLE CASEMENT OUT WINDOW WITH HARDWARE TYPE 1  
MULTIPOINT LOCK (ADVANTAGE OR ROTD)  
3-1/4" BUTT HINGE ADVANTAGE 1192

(X) SINGLE CASEMENT OUT WINDOW WITH HARDWARE TYPE 2  
BRONZECRAFT CAMLOCK  
3-1/4" BUTT HINGE ADVANTAGE 1192

MANUFACTURER:

**NR**  
**ARCHITECTURAL PRODUCTS, INC.**

4348 WESTROADS DRIVE  
WEST PALM BEACH  
FLORIDA - 33407  
WWW.NRWINDOWS.COM  
PH.: (561) 844-1121  
FAX: (561) 844-6131

PRODUCT:  
**NRAP 2500-CO**  
CASEMENT OUT WINDOW  
SMALL MISSILE IMPACT

Engineering:  
**EngCo Inc.**  
CA 8116  
6971 W. Sunrise Blvd. 104  
Plantation, Fl. 33313  
ENGCO@AOL.COM

Engineer Seal  
Pedro De Figueiredo  
PE 52609

DRAFTING:  
**PK DRAFTING & MORE**

MIAMI-DADE BCCO:

Date: 05/09/2009  
Scale: NA  
Design by: PPMF

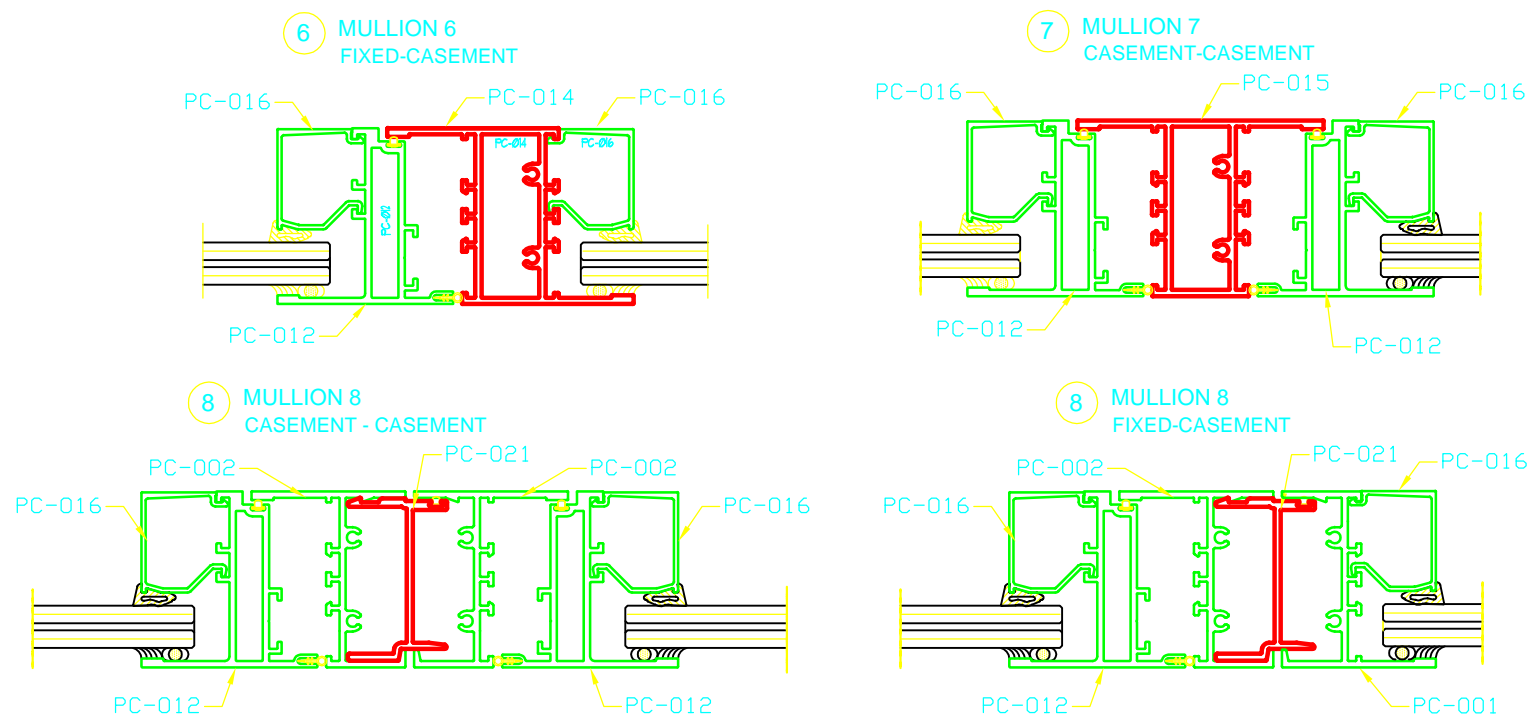
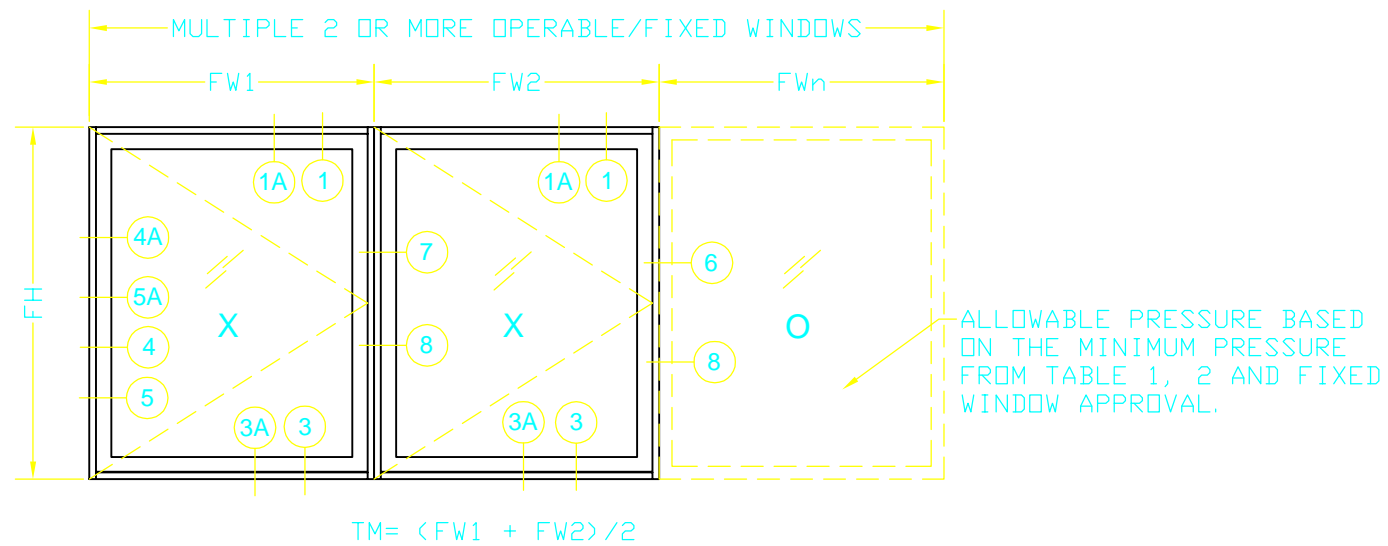
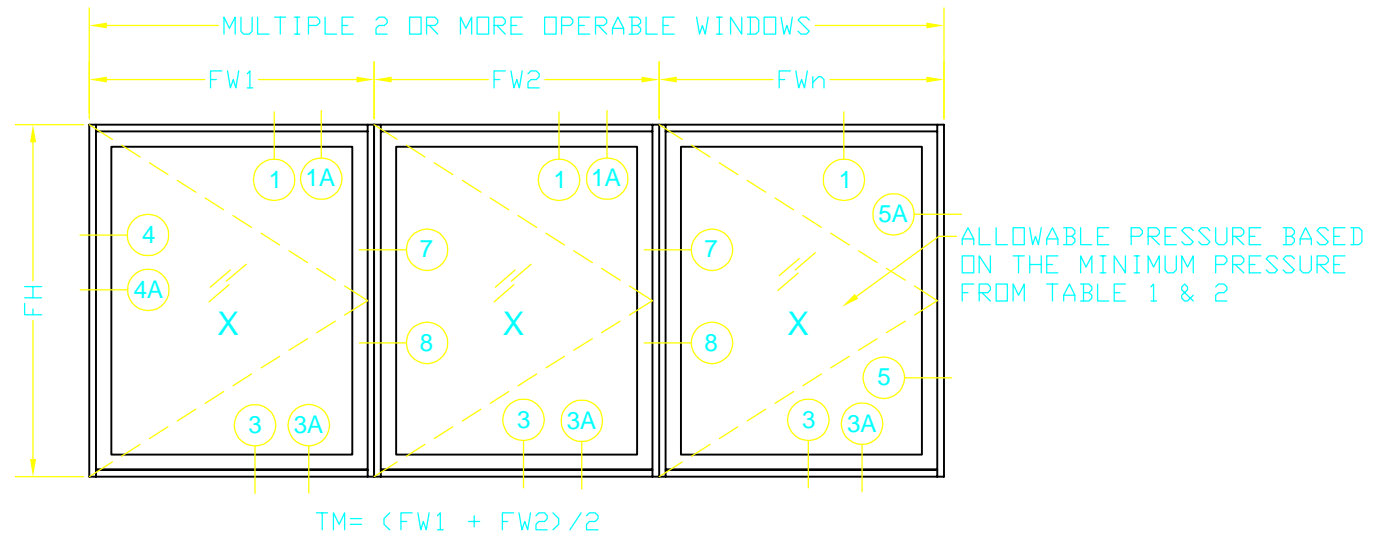
Drawing Number  
**09-090**

SHEET  
**2 of 9**

**TABLE 2**  
DESIGNED RATING FOR MULLION S ON  
MULTIPLE CASEMENT OR/AND FIXED UNITS (PSF)

TM	FH	MULL TYPE 6		MULL TYPE 7		MULL TYPE 8	
		EXT (+)	INT (-)	EXT (+)	INT (-)	EXT (+)	INT (-)
32	38	120.0	120.0	120.0	120.0	120.0	120.0
	42	120.0	120.0	120.0	120.0	120.0	120.0
	48	120.0	120.0	120.0	120.0	115.0	115.0
	54	120.0	120.0	116.5	116.5	97.0	97.0
	60	120.0	120.0	100.6	100.6	83.9	83.9
	66	91.8	91.8	68.8	68.8	64.6	64.6
72	63.8	63.8	47.8	47.8	44.9	44.9	
38.75	38	120.0	120.0	120.0	120.0	120.0	120.0
	42	120.0	120.0	120.0	120.0	120.0	120.0
	48	120.0	120.0	120.0	120.0	106.0	106.0
	54	120.0	120.0	105.6	105.6	88.0	88.0
	60	120.0	120.0	90.0	90.0	75.0	75.0
	66	79.4	79.4	59.6	59.6	55.9	55.9
72	54.8	54.8	41.1	41.1	38.5	38.5	
44	38	120.0	120.0	120.0	120.0	120.0	120.0
	42	120.0	120.0	120.0	120.0	120.0	120.0
	48	120.0	120.0	120.0	120.0	103.0	103.0
	54	120.0	120.0	100.6	100.6	83.9	83.9
	60	111.2	111.2	83.4	83.4	75.0	75.0
	66	73.1	73.1	54.8	54.8	51.4	51.4
48.625	38	120.0	120.0	120.0	120.0	120.0	120.0
	42	120.0	120.0	120.0	120.0	120.0	120.0
	48	120.0	120.0	120.0	120.0	102.0	102.0
	54	120.0	120.0	98.1	98.1	81.8	81.8
	60	105.4	105.4	79.1	79.1	75.0	75.0
	66	73.1	73.1	54.8	54.8	51.4	51.4
54	38	120.0	120.0	120.0	120.0	120.0	120.0
	42	120.0	120.0	120.0	120.0	120.0	120.0
	48	120.0	120.0	120.0	120.0	102.0	102.0
	54	120.0	120.0	97.2	97.2	81.0	81.0

TW- MAXIMUM TRIBUTARY MODULE WIDTH IN INCHES  
FH- MAXIMUM FINISHED HEIGHT IN INCHES  
PRESSURES IN PSF



MANUFACTURER:  
**NR**  
**ARCHITECTURAL PRODUCTS, INC.**  
4348 WESTROADS DRIVE  
WEST PALM BEACH  
FLORIDA - 33407  
WWW.NRWINDOWS.COM  
PH.: (561) 844-1121  
FAX: (561) 844-6131

PRODUCT:  
**NRAP 2500-CO**  
CASEMENT OUT WINDOW  
SMALL MISSILE IMPACT

Engineering:  
**EngCo Inc.**  
CA 8116  
6971 W. Sunrise Blvd. 104  
Plantation, Fl. 33313  
ENGCO@AOL.COM

Engineer Seal  
Pedro De Figueiredo  
PE 52609

DRAFTING:  
**PK DRAFTING & MORE**

MIAMI-DADE BCCO:

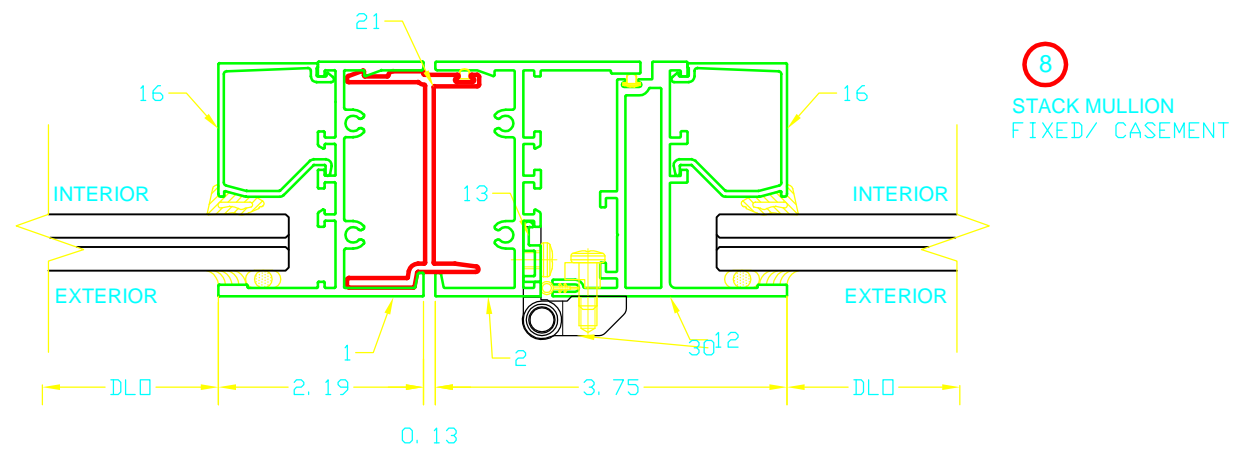
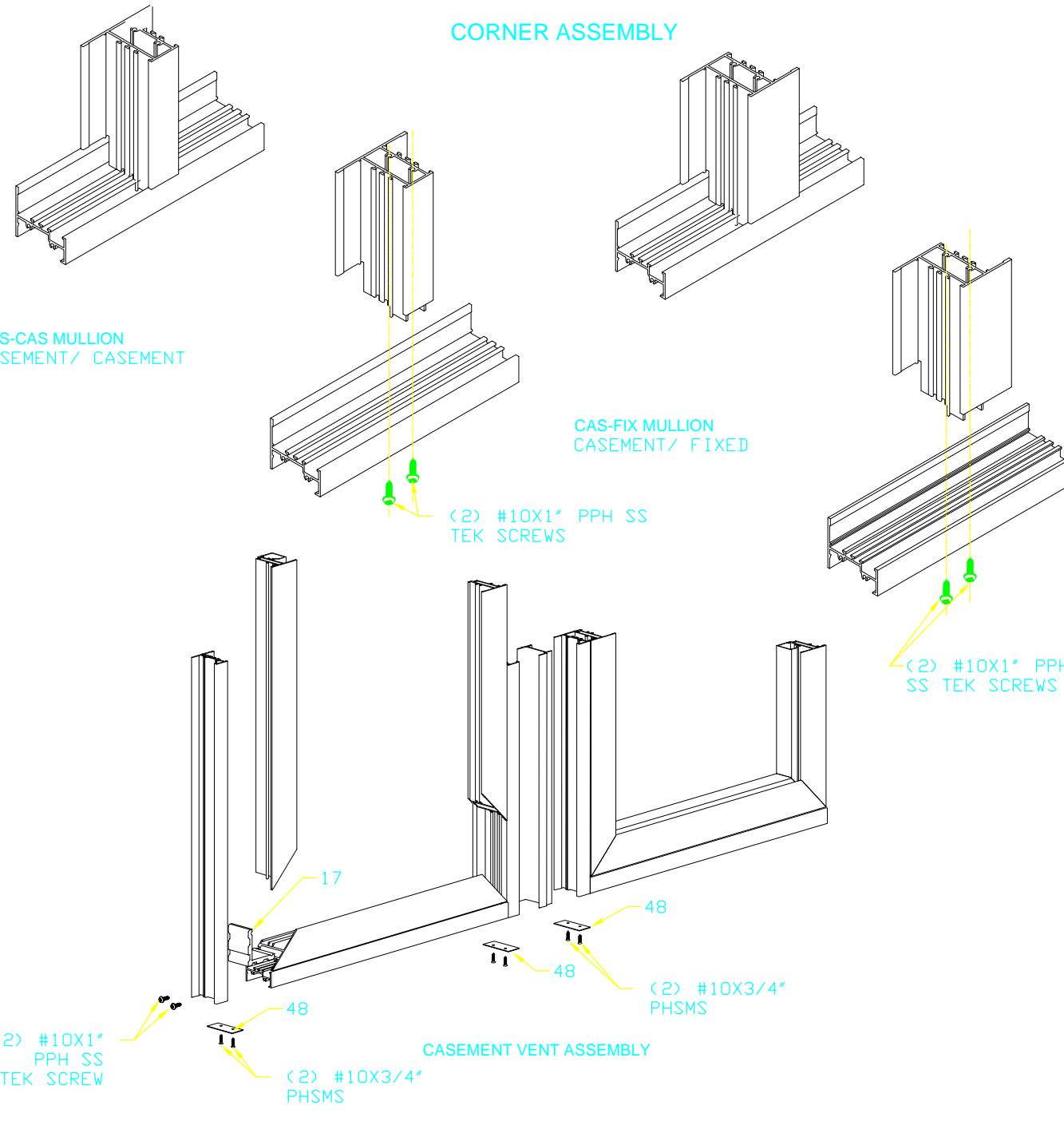
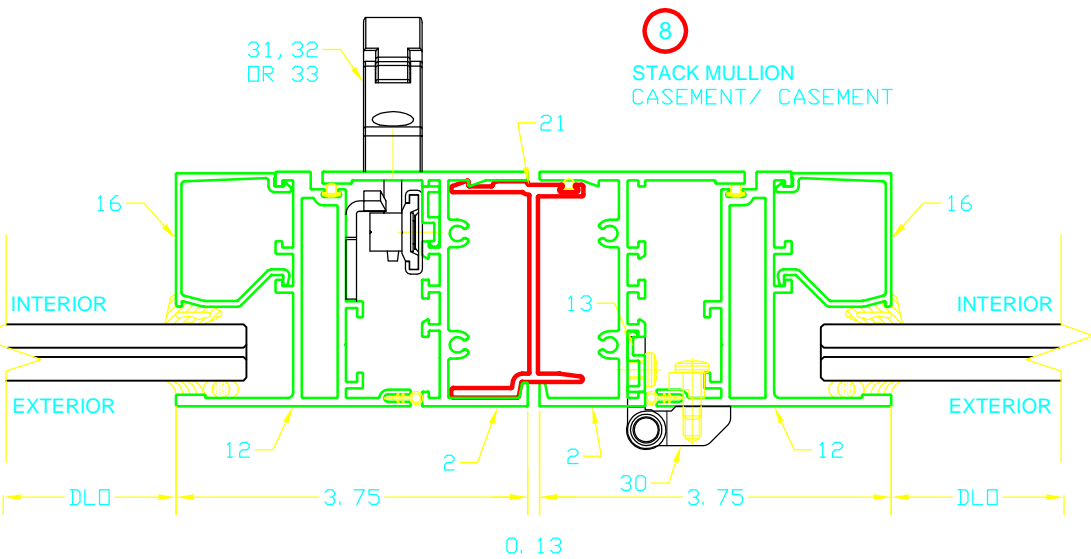
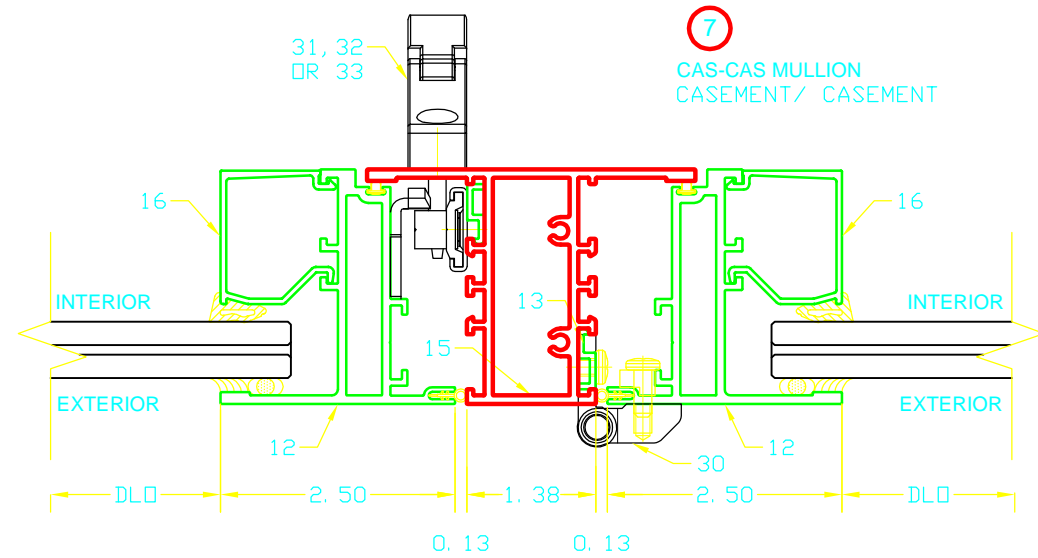
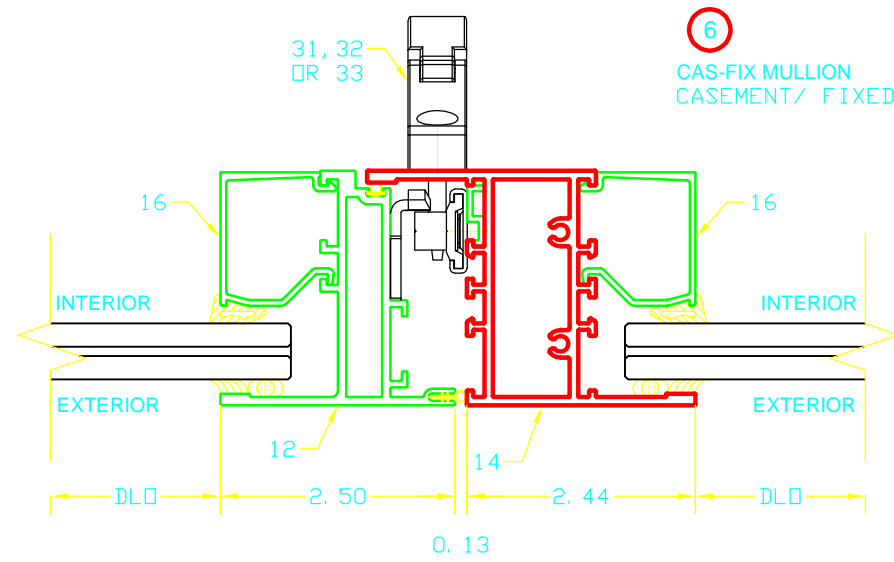
Date: 05/09/2009  
Scale: NA  
Design by: PPMF

Drawing Number  
**09-090**

SHEET  
**3 of 9**



TYPICAL DETAILS



MANUFACTURER:  
**NR**  
**ARCHITECTURAL PRODUCTS, INC.**  
 4348 WESTROADS DRIVE  
 WEST PALM BEACH  
 FLORIDA - 33407  
 WWW.NRWINDOWS.COM  
 PH.: (561) 844-1121  
 FAX: (561) 844-6131

PRODUCT:  
**NRAP 2500-CO**  
 CASEMENT OUT WINDOW  
 SMALL MISSILE IMPACT

Engineering:  
**EngCo Inc.**  
 CA 8116  
 6971 W. Sunrise Blvd. 104  
 Plantation, Fl. 33313  
 ENGCO@AOL.COM

Engineer Seal  
 Pedro De Figueiredo  
 PE 52609

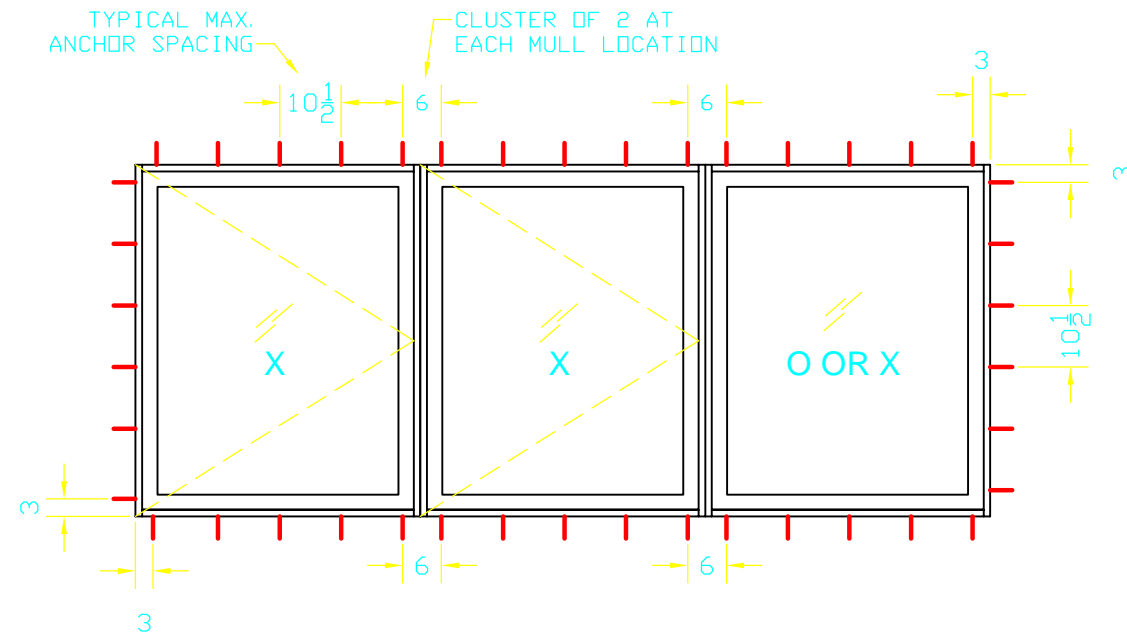
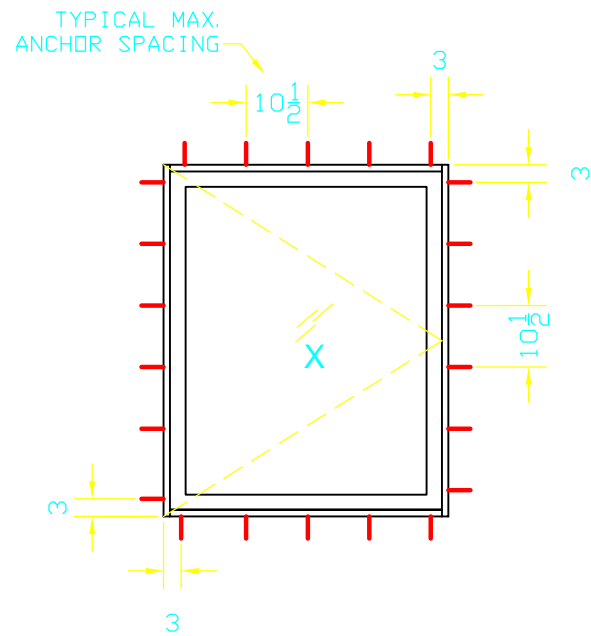
DRAFTING:  
**PK DRAFTING & MORE**

MIAMI-DADE BCCO:

Date: 05/09/2009  
 Scale: NA  
 Design by: PPMF

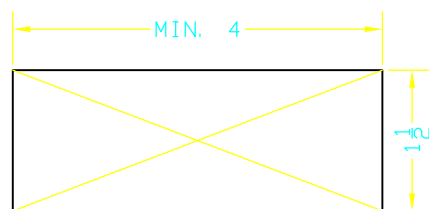
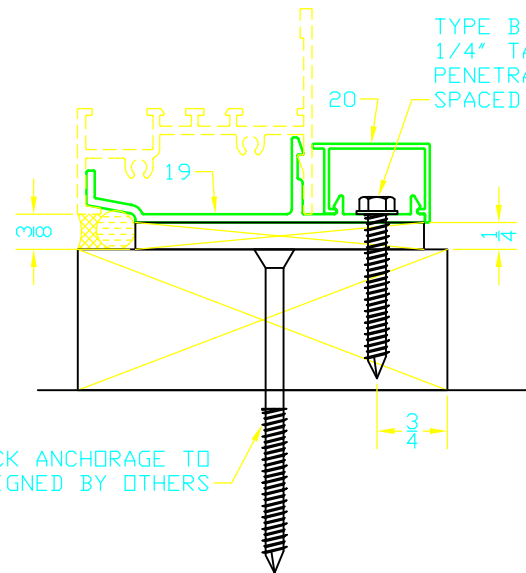
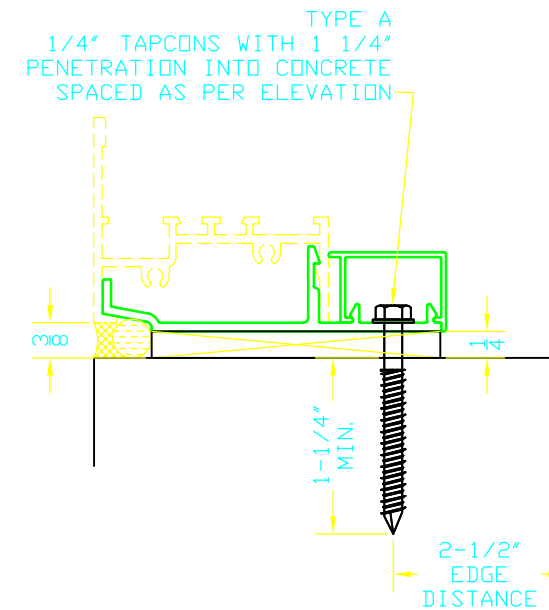
Drawing Number  
**09-090**

SHEET  
**5 of 9**

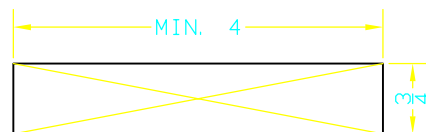
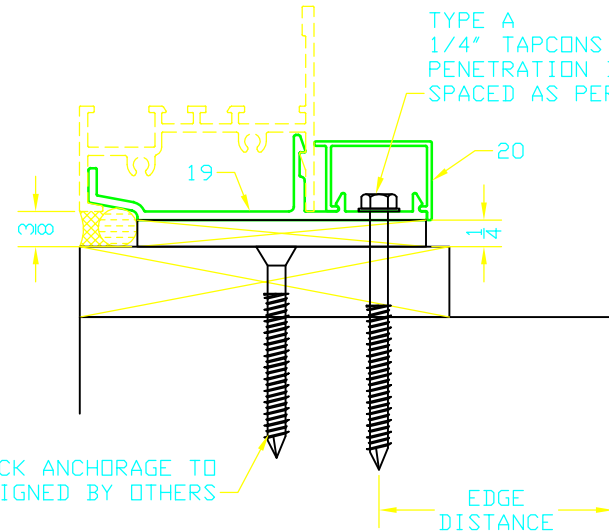


**ANCHORAGE LAY-OUT WITH STRAP**

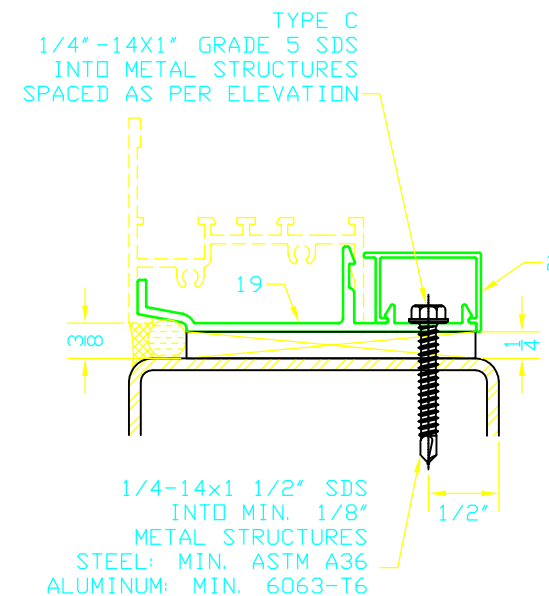
TYPE	DESCRIPTION	PENETRATION	EDGE DIST.	SUBSTRATUM
A	1/4" TAPCONS	1 1/4"	2-1/2"	MASONRY OR CONCRETE
B	1/4" TAPCONS	1 1/2"	3/4"	INTO 2X BUCK (G>=0.55)
C	1/4-14 SDS	1/8"	1/2"	6063-T6 ALUMINUM ASTM A36 STEEL



2X PRESSURE TREATED SOUTHERN PINE G>= .55



1X PRESSURE TREATED SOUTHERN PINE G>= .55



MANUFACTURER:  
**NR**  
**ARCHITECTURAL PRODUCTS, INC.**  
 4348 WESTROADS DRIVE  
 WEST PALM BEACH  
 FLORIDA - 33407  
 WWW.NRWINDOWS.COM  
 PH.: (561) 844-1121  
 FAX: (561) 844-6131

PRODUCT:  
**NRAP 2500-CO**  
 CASEMENT OUT WINDOW  
 SMALL MISSILE IMPACT

Engineering:  
**EngCo Inc.**  
 CA 8116  
 6971 W. Sunrise Blvd. 104  
 Plantation, Fl. 33313  
 ENGCO@AOL.COM

Engineer Seal  
 Pedro De Figueiredo  
 PE 52609

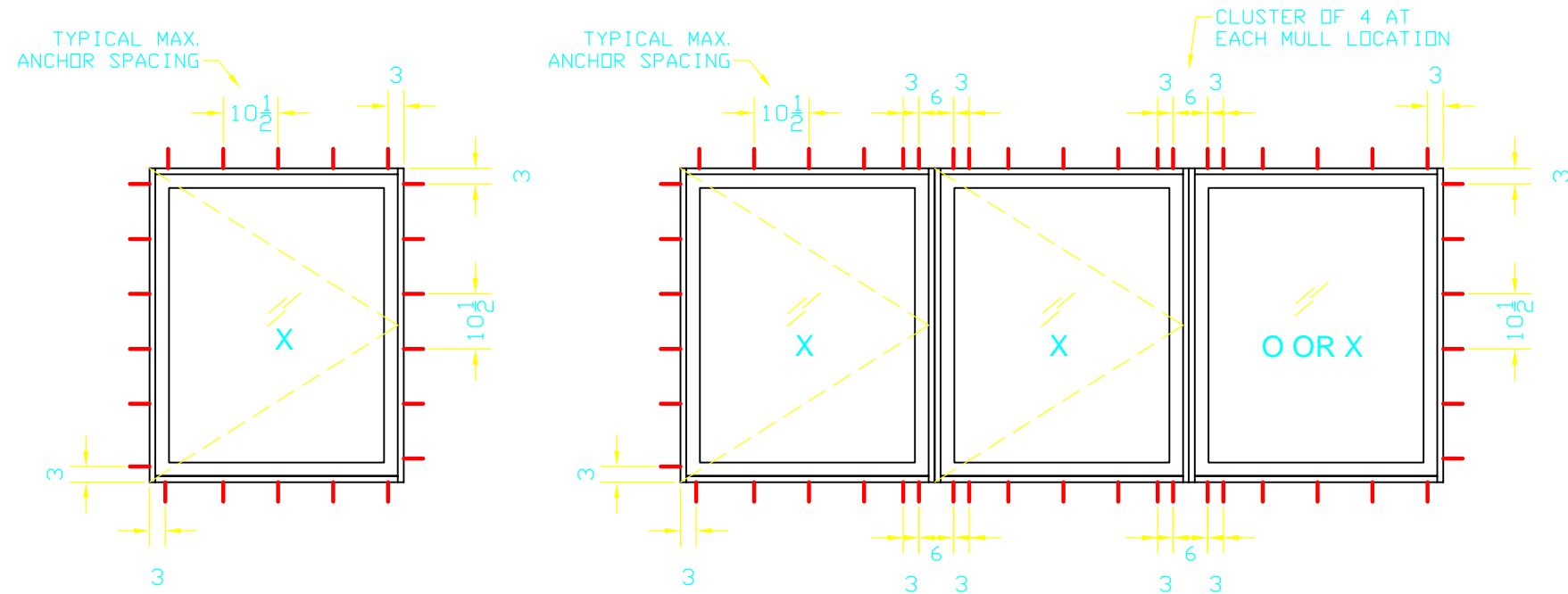
DRAFTING:  
**PK DRAFTING & MORE**

MIAMI-DADE BCCO:

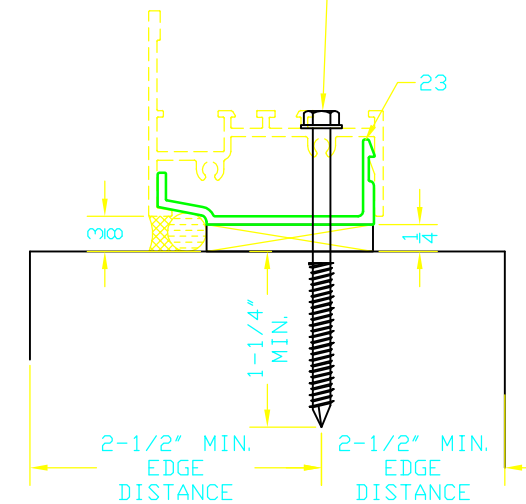
Date: 05/09/2009  
 Scale: NA  
 Design by: PPMF

Drawing Number  
**09-090**

SHEET  
**6 of 9**



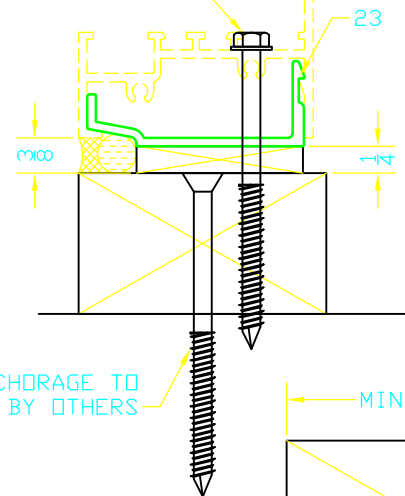
1/4" TAPCONS WITH 1 1/4" PENETRATION INTO CONCRETE SPACED AS PER ELEVATION



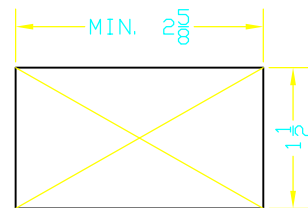
**ANCHORAGE LAY-OUT WITH SHEAR CLIP**

TYPE	DESCRIPTION	PENETRATION	EDGE DIST.	SUBSTRATUM
A	1/4" TAPCONS	1 1/4"	2-1/2"	MASONRY OR CONCRETE
B	1/4" TAPCONS	1 1/2"	3/4"	INTO 2X BUCK (G>=0.55)
C	1/4"-14 SDS	1/8"	1/2"	6063-T6 ALUMINUM ASTM A36 STEEL

1/4" TAPCONS WITH 1 1/2" PENETRATION INTO 2X BUCK SPACED AS PER ELEVATION



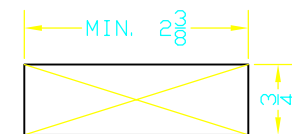
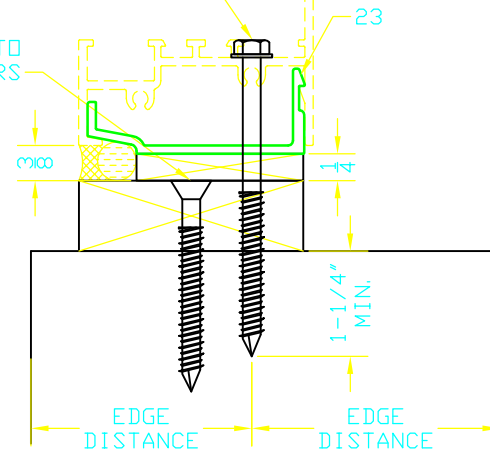
2X BUCK ANCHORAGE TO BE DESIGNED BY OTHERS



2X PRESSURE TREATED SOUTHERN PINE G>=.55

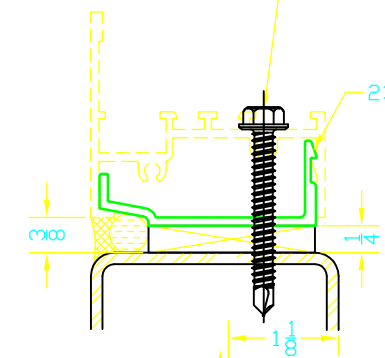
1/4" TAPCONS WITH 1 1/4" PENETRATION INTO CONCRETE SPACED AS PER ELEVATION

1X BUCK ANCHORAGE TO BE DESIGNED BY OTHERS



1X PRESSURE TREATED SOUTHERN PINE G>=.55

1/4"-14X2" SELF DRILLING SCREWS INTO METAL STRUCTURES SPACED AS PER ELEVATION



1/4-14x1 1/2" SDS INTO MIN. 1/8" METAL STRUCTURES  
STEEL: MIN. ASTM A36  
ALUMINUM: MIN. 6063-T6

MANUFACTURER:

**NR**

**ARCHITECTURAL PRODUCTS, INC.**

4348 WESTROADS DRIVE  
WEST PALM BEACH  
FLORIDA - 33407  
WWW.NRWINDOWS.COM  
PH.: (561) 844-1121  
FAX: (561) 844-6131

PRODUCT:

**NRAP 2500-CO**  
CASEMENT OUT WINDOW  
SMALL MISSILE IMPACT

Engineering:

**EngCo Inc.**

CA 8116  
6971 W. Sunrise Blvd. 104  
Plantation, Fl. 33313  
ENGCO@AOL.COM

Engineer Seal  
Pedro De Figueiredo  
PE 52609

DRAFTING:

**PK DRAFTING & MORE**

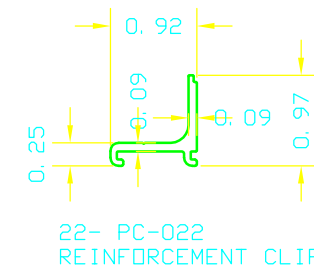
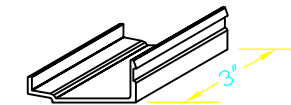
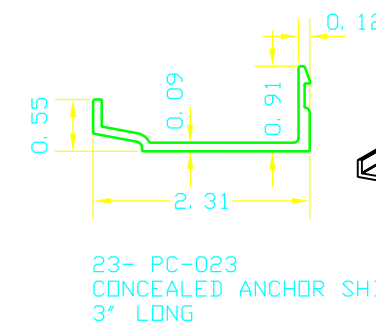
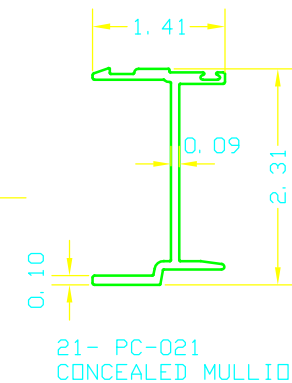
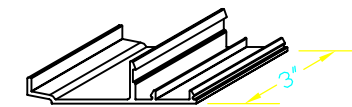
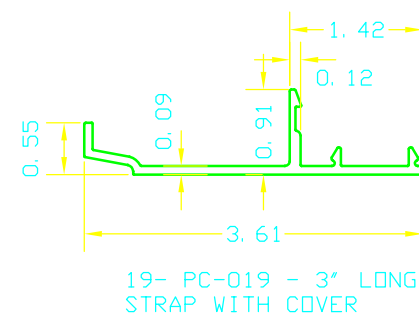
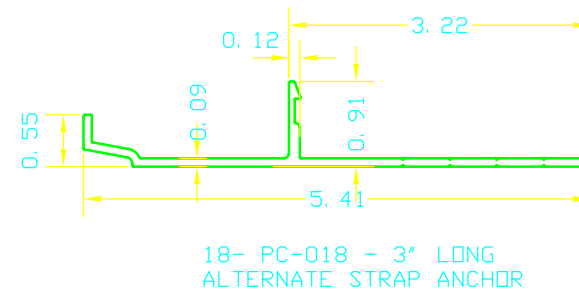
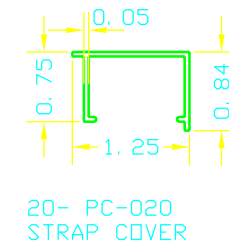
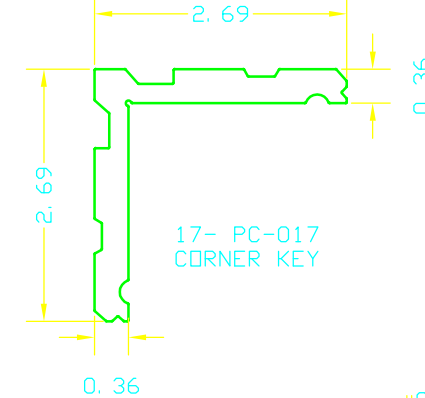
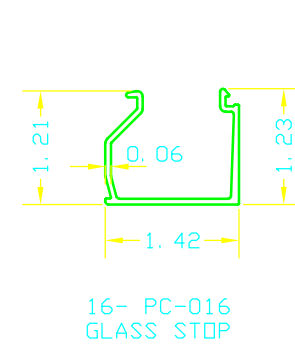
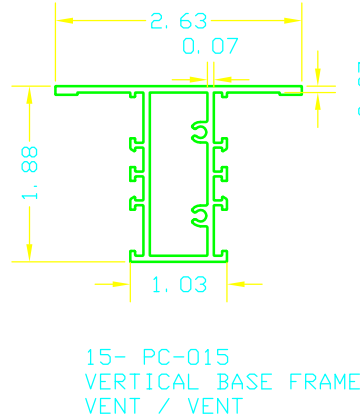
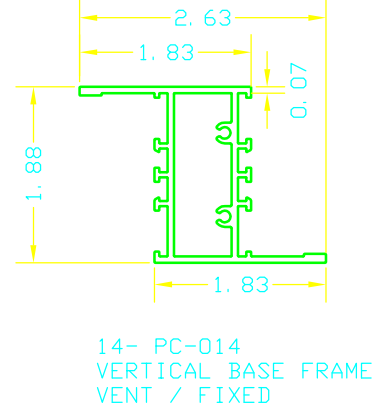
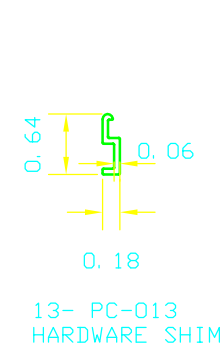
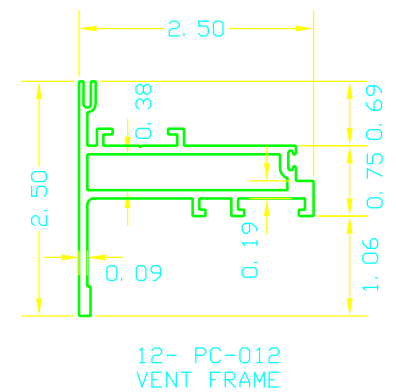
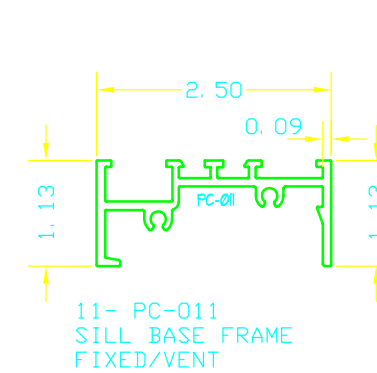
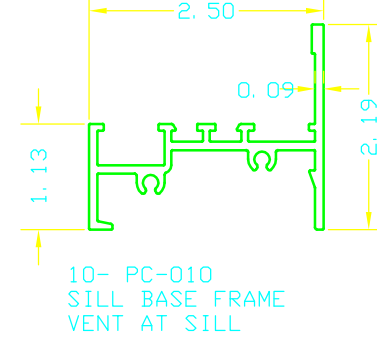
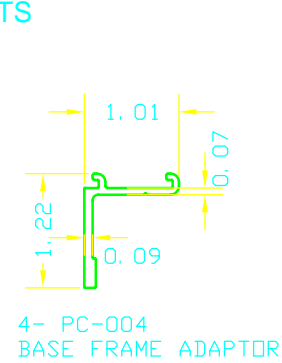
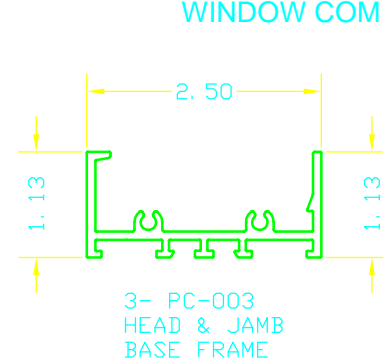
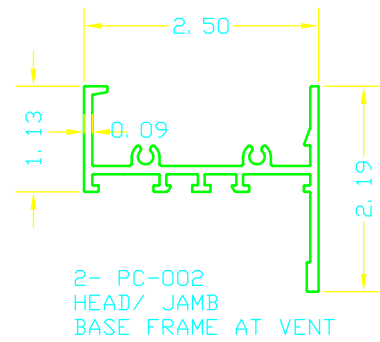
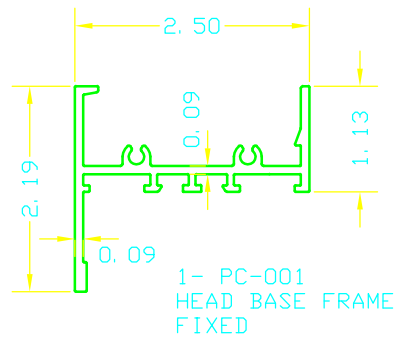
MIAMI-DADE BCCO:

Date: 05/09/2009  
Scale: NA  
Design by: PPMF

Drawing Number  
**09-090**

SHEET  
**7 of 9**

WINDOW COMPONENTS



COMPONENTS LIST

ITEM	PART#	DESCRIPTION	MATERIAL	SUPPLIER
1	PC-001	HEAD BASE FRAME (FIXED)	ALUMINUM 6063-T6	NR ARCHITECTURAL PRODUCTS
2	PC-002	HEAD/JAMB BASE FRAME (OPERABLE)	ALUMINUM 6063-T6	NR ARCHITECTURAL PRODUCTS
3	PC-003	HEAD AND JAMB BASE FRAME	ALUMINUM 6063-T6	NR ARCHITECTURAL PRODUCTS
4	PC-004	BASE FRAME ADAPTOR	ALUMINUM 6063-T6	NR ARCHITECTURAL PRODUCTS
10	PC-010	SILL BASE FRAME (OPERABLE)	ALUMINUM 6063-T6	NR ARCHITECTURAL PRODUCTS
11	PC-011	SILL BASE FRAME (FIXED/OPERABLE)	ALUMINUM 6063-T6	NR ARCHITECTURAL PRODUCTS
12	PC-012	CASEMENT WINDOW FRAME	ALUMINUM 6063-T6	NR ARCHITECTURAL PRODUCTS
13	PC-013	HARDWARE SHIM	ALUMINUM 6063-T6	NR ARCHITECTURAL PRODUCTS
14	PC-014	VERTICAL BASE FRAME (OPERABLE)	ALUMINUM 6063-T6	NR ARCHITECTURAL PRODUCTS
15	PC-015	VERTICAL BASE FRAME (FIXED)	ALUMINUM 6063-T6	NR ARCHITECTURAL PRODUCTS
16	PC-016	GLASS STOP	ALUMINUM 6063-T6	NR ARCHITECTURAL PRODUCTS
17	PC-017	CASEMENT CORNER KEY	ALUMINUM 6063-T6	NR ARCHITECTURAL PRODUCTS
18	PC-018	ALTERNATE STRAP ANCHOR	ALUMINUM 6063-T6	NR ARCHITECTURAL PRODUCTS
19	PC-019	STRAP ANCHOR	ALUMINUM 6063-T6	NR ARCHITECTURAL PRODUCTS
20	PC-020	STRAP ANCHOR COVER	ALUMINUM 6063-T6	NR ARCHITECTURAL PRODUCTS
21	PC-021	CONCEALED MULLION	ALUMINUM 6063-T6	NR ARCHITECTURAL PRODUCTS
22	PC-022	REINFORCEMENT CLIP	ALUMINUM 6063-T6	NR ARCHITECTURAL PRODUCTS
23	PC-023	CONCEALED STRAP ANCHOR	ALUMINUM 6063-T6	NR ARCHITECTURAL PRODUCTS
30	NR-A25	BUTT HINGE 1192 3-1/4"	NA	ADVANTAGE MANUFACTURING CORP.
31	NR-A22	CAMLOCK ASSEMBLY	BRONZE	BRONZECRAFT
32	NR-A26	MULTI-POINT LOCK	STEEL	ADVANTAGE MANUFACTURING CORP.
33	NR-A27	MULTI-POINT LOCK	STEEL	ROTO FRANK OF AMERICA
34	--	9/16" LAMINATED IMPACT GLASS	GLASS	DUPONT
35	NR-A23	WEEP SLOT COVER	PLASTIC	NR ARCHITECTURAL PRODUCTS
36	NR-A24	VK2526 1/4" PVC SPACER	PVC	CAPITAL TAPE
37	--	GLAZING SEALANT DOW 983 II PART	SILICONE	DOW CORNING
38	--	GLAZING SEALANT DOW 995	SILICONE	DOW CORNING
39	NR-G20	PS 1126E POLY-WEDGE GASKET	70 DURO EPDM	TREMCO
40	NR-G21	EXT. WEATHERSEAL AP 150	EXTRUDED TAPE	SCHLEGEL
41	NR-G22	INT. WEATHERSEAL TLOK 150	POLYETHELENE	SCHLEGEL
42	NR-G23	VL 1026-107 WEEP VALVE	SILICONE	VERNAY
43	NR-G25	GLASS SETTING BLOCK TR-1365E	70 DURO EPDM	TREMCO
44	--	PERIMETER SEALANT DOW 795	SILICONE	DOW CORNING
45	--	FRAME JOINT SEALANT	SILICONE	CRL BUILDING PRODUCTS
46	NR-F12	BASE FRAME FIXING SCREWS	STAINLESS STEEL	#10X1 PPH TSEK SCREW
47	NR-F13	ADAPTOR FIXING SCREW	STAINLESS STEEL	#12 X 3/4" PP TEK SREW
48	NR-EP1	1/16"-2-1/2"X5/16" END PLATE	6063-T6 ALUMINUM	NR ARCHITECTURAL PRODUCTS

MANUFACTURER:

**NR**  
**ARCHITECTURAL PRODUCTS, INC.**  
 4348 WESTROADS DRIVE  
 WEST PALM BEACH  
 FLORIDA - 33407  
 WWW.NRWINDOWS.COM  
 PH.: (561) 844-1121  
 FAX: (561) 844-6131

PRODUCT:  
**NRAP 2500-CO**  
 CASEMENT OUT WINDOW  
 SMALL MISSILE IMPACT

Engineering:  
**EngCo Inc.**  
 CA 8116  
 6971 W. Sunrise Blvd. 104  
 Plantation, Fl. 33313  
 ENGCO@AOL.COM

Engineer Seal  
 Pedro De Figueiredo  
 PE 52609

DRAFTING:  
**PK DRAFTING & MORE**

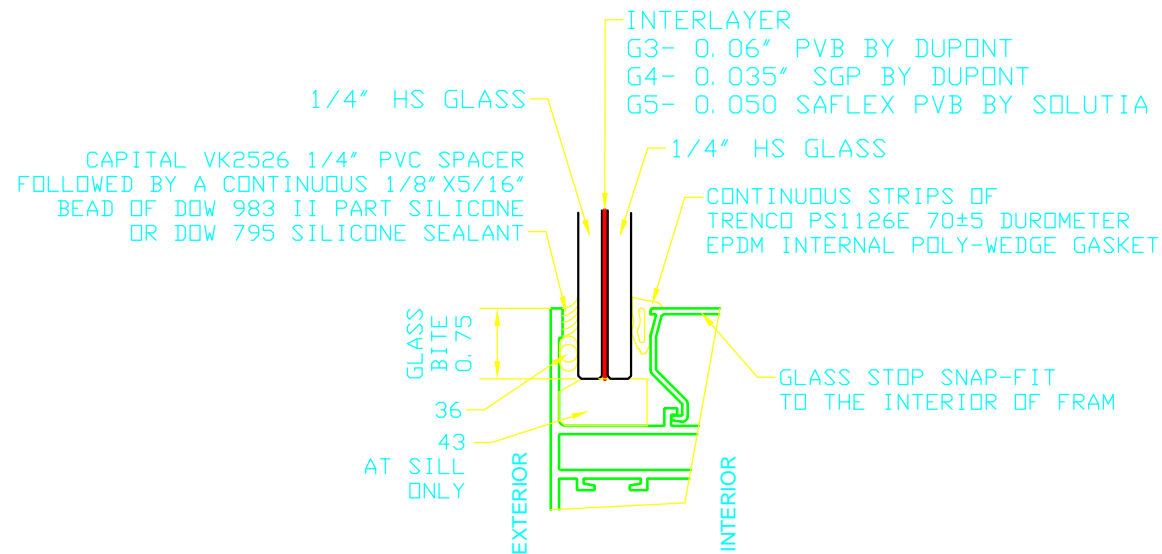
MIAMI-DADE BCCO:

Date: 05/09/2009  
 Scale: NA  
 Design by: PPMF

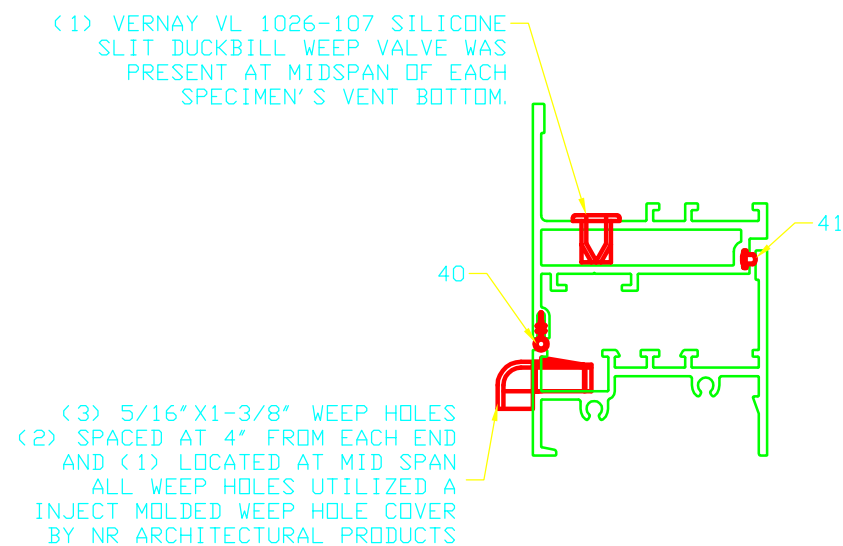
Drawing Number  
**09-090**

SHEET  
**8 of 9**

**GLAZING DETAIL**



**WEEP HOLES, WATER DIVERTERS, COVERS  
AND WEATHER STRIPPING**



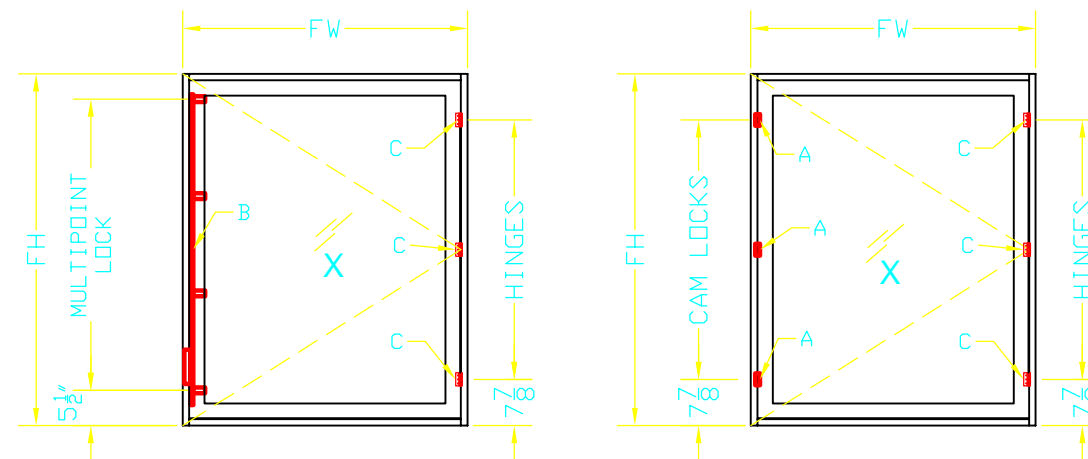
**HARDWARE SCHEDULE:**

A- BRONZECRAFT CAMLOCK ASSEMBLY CONSISTING OF THE HANDLE AND KEEPER. TWO LOCKS LOCATED 7-5/8" FROM THE TOP AND BOTTOM OF THE WINDOW TO CENTERLINE OF THE LOCKS AND THE OTHERS EQUALLY SPACED. THE HANDLE WAS ATTACHED WITH (2) 3/16" X 3/4" PPHMS TO THE OPERABLE VENT JAMB WHILE THE KEEPER WAS FASTENED TO THE FRAME BASE WITH (4) 1/4-20 X 5/16" FHSTSS SCREWS

B- ADVANTAGE MULTI-POINT LOCK WITH FIRST LOCATED AT 5-1/2" FROM THE BOTTOM OF THE BASE FRAME AND THE BALANCE EVENLY SPACED. THE LOCK HANDLE WAS ATTACHED TO THE JAMB USING (2) #12 X 3/4" PHSMS. THE INTERNAL LOCK ROD IS ATTACHED ON THE INSIDE FACE OF THE JAMB AT 4 LOCATIONS, ONE AT TOP, ONE AT BOTTOM AND TWO AT 1/4" POINTS OF THE OVERALL LENGTH OF THE LOCKING BAR, FASTENED AT TWO POINTS EACH USING #10 X 1/2" FHSMS.

B ALTERNATE- ROTO FRANK AMERICA, INC. MULTI-POINT LOCK WITH FIRST LOCATED AT 5-1/2" FROM THE BOTTOM OF THE BASE FRAME AND THE BALANCE EVENLY SPACED. THE LOCK HANDLE WAS ATTACHED TO THE JAMB USING (2) #8 X 1/2" PHSMS. THE INTERNAL LOCK BAR IS ATTACHED ON THE INSIDE FACE OF THE JAMB AT 6 LOCATIONS, FIRST AT 7-5/16" FROM THE BOTTOM AND THE BALANCE EVENLY SPACED FASTENED WITH (3) #8 X 3/4" FHSMS.

C- ADVANTAGE 1192 3-1/4" BUTT HINGE WITH TWO LOCATED 7-7/8" FROM THE TOP AND BOTTOM OF THE WINDOW AND THE OTHERS EQUALLY SPACED. THE HINGES WERE ATTACHED USING (3) #10 X 3/4" PPHSS SCREWS AT THE JAMB BASE FRAME AND (3) 8/32" X 1/2" PPHSS PER OPERABLE VENT.



MANUFACTURER:

**NR**

**ARCHITECTURAL  
PRODUCTS, INC.**

4348 WESTROADS DRIVE  
WEST PALM BEACH  
FLORIDA - 33407  
WWW.NRWINDOWS.COM  
PH.: (561) 844-1121  
FAX: (561) 844-6131

PRODUCT:

**NRAP 2500-CO**

CASEMENT OUT WINDOW  
SMALL MISSILE IMPACT

Engineering:

**EngCo Inc.**

CA 8116  
6971 W. Sunrise Blvd. 104  
Plantation, Fl. 33313  
ENGCO@AOL.COM

Engineer Seal  
Pedro De Figueiredo  
PE 52609

DRAFTING:

**PK DRAFTING & MORE**

MIAMI-DADE BCCO:

Date: 05/09/2009  
Scale: NA  
Design by: PPMF

Drawing Number

**09-090**

SHEET

**9 of 9**