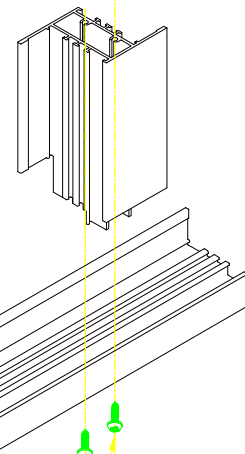
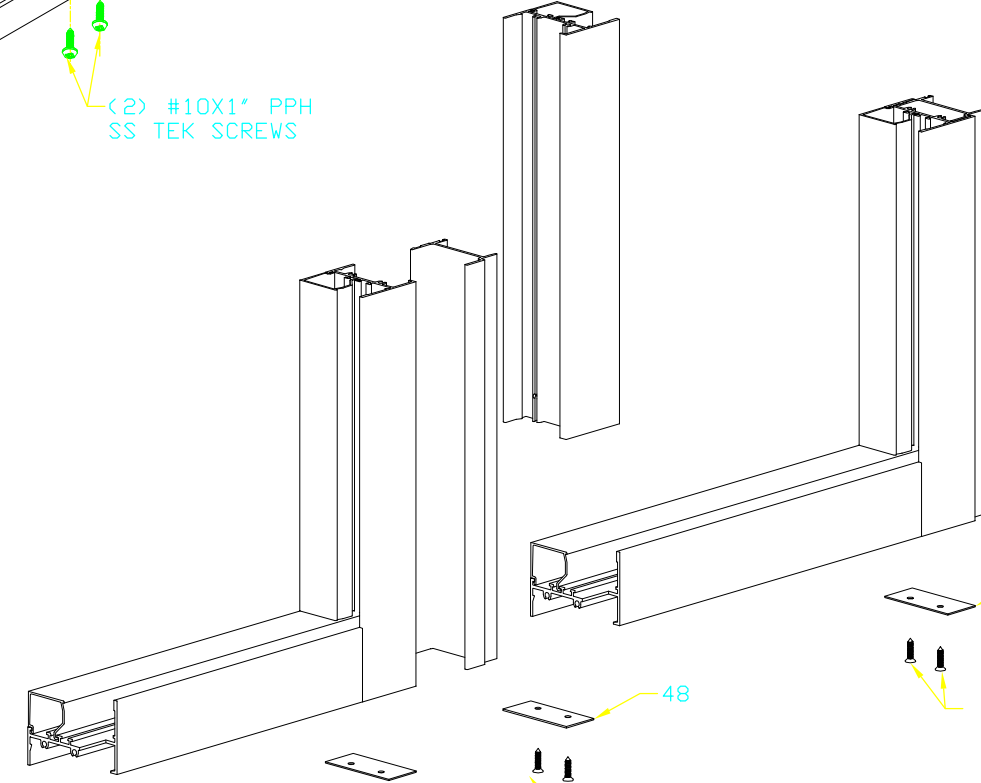


CAS-FIX MULLION
CASEMENT/ FIXED

CORNER ASSEMBLY



(2) #10X1" PPH
SS TEK SCREWS



(2) #10X1" PPH SS
TEK SCREW

48

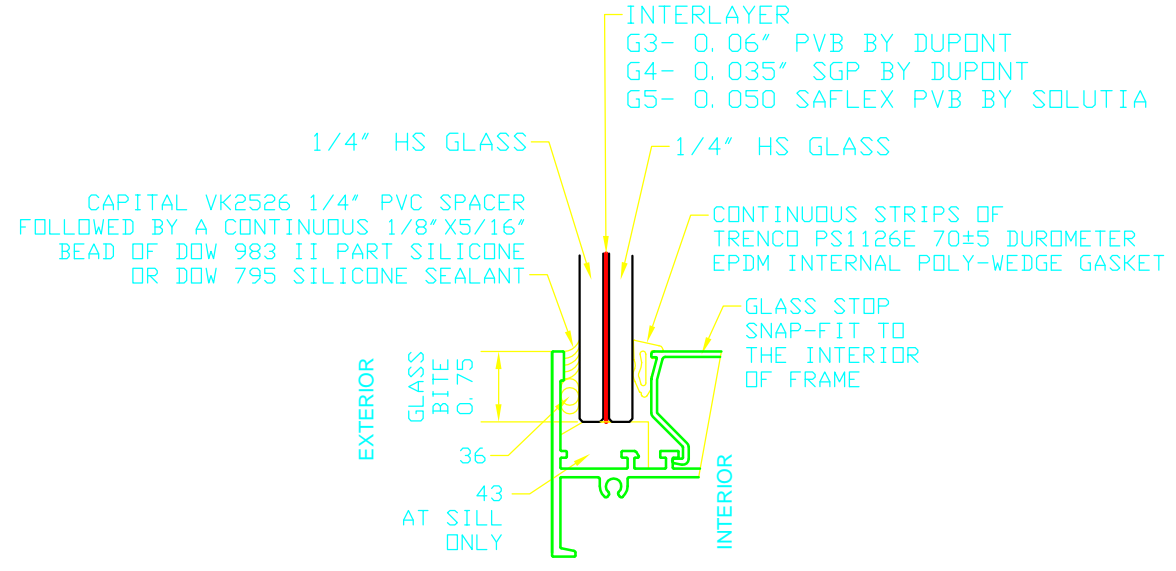
(2) #10X3/4" PHSMS

(2) #10X3/4" PHSMS

(2) #10X3/4" PHSMS

48

GLAZING DETAIL



MANUFACTURER:
NR
ARCHITECTURAL PRODUCTS, INC.
4348 WESTROADS DRIVE
WEST PALM BEACH
FLORIDA - 33407
WWW.NRWINDOWS.COM
PH.: (561) 844-1121
FAX: (561) 844-6131

PRODUCT:
NRAP 2500-FX
FIXED WINDOW
SMALL MISSILE IMPACT

Engineering:
EngCo Inc.
CA 8116
6971 W. Sunrise Blvd. 104
Plantation, Fl. 33313
ENGCO@AOL.COM

Engineer Seal
Pedro De Figueiredo
PE 52609

DRAFTING:
PK DRAFTING & MORE

MIAMI-DADE BCCO:

Date: 05/09/2009
Scale: NA
Design by: PPMF

Drawing Number
09-094

SHEET
7 of 7

MANUFACTURER:

NR

ARCHITECTURAL PRODUCTS, INC.

4348 WESTROADS DRIVE
WEST PALM BEACH
FLORIDA - 33407
WWW.NRWINDOWS.COM
PH.: (561) 844-1121
FAX: (561) 844-6131

PRODUCT:

NRAP 2500-FX
FIXED WINDOW
SMALL MISSILE IMPACT

Engineering:

EngCo Inc.

CA 8116
6971 W. Sunrise Blvd. 104
Plantation, Fl. 33313
ENGCO@AOL.COM

Engineer Seal
Pedro De Figueiredo
PE 52609

DRAFTING:

PK DRAFTING & MORE

MIAMI-DADE BCCO:

Date: 05/09/2009
Scale: NA
Design by: PPMF

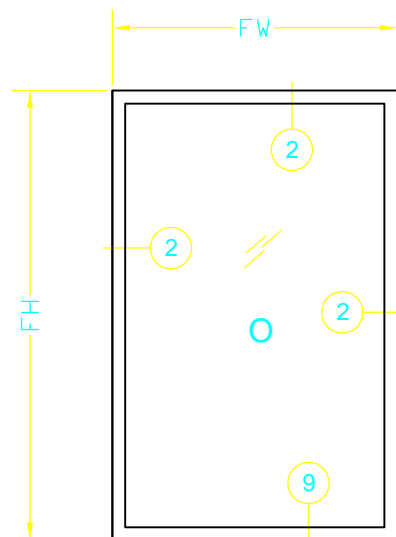
Drawing Number
09-094

SHEET
2 of 7

TABLE 1
DESIGNED RATING FOR
SINGLE FIXED UNITS (PSF)

MAX. FRAME WIDTH (FW)	MAX. FRAME HEIGHT (FH)	EXT (+)	INT (-)
24	96	120	
32	72	120	
38.75	60	120	
44	52	120	
48	48	120	
52	44	120	
60	38.75	120	
72	32	120	
96	24	120	

* FRAME WIDTH AND HEIGHT IN INCHES
* PRESSURES IN PSF
* WINDOW AREA MUST NOT EXCEED 16.15 SQFT

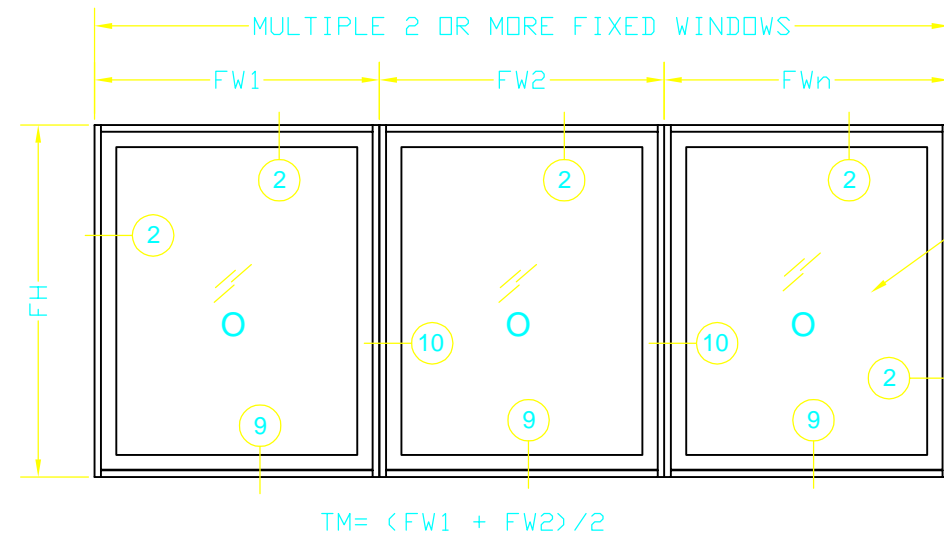


(D) SINGLE FIXED WINDOW

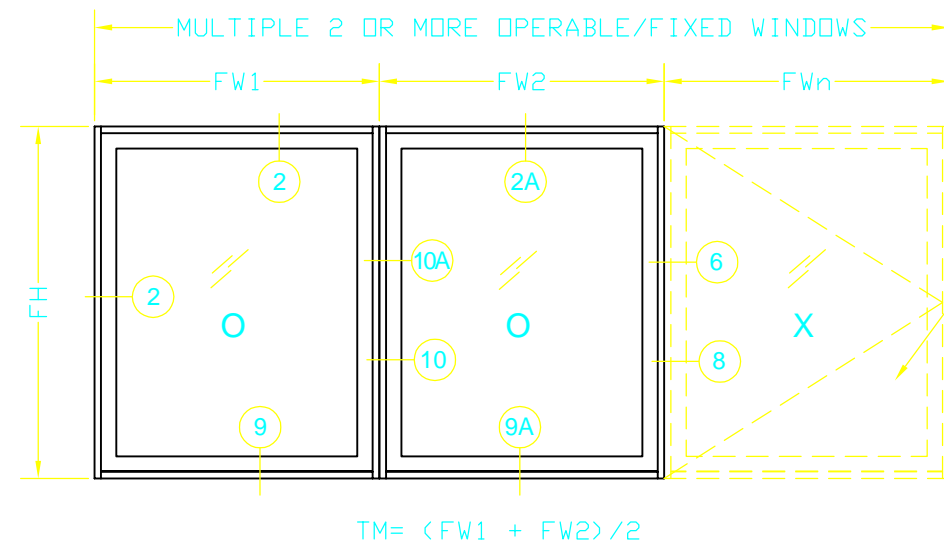
TABLE 2
DESIGNED RATING FOR MULLIONS ON MULTIPLE FIXED OR/AND FIXED/CASEMENT UNITS (PSF)

TM	FH	MULL TYPE 6/ 8/ 10/ 10A EXT(+), INT(-)
24	60	120
	66	117
	72	82
	84	44
32	90	33
	60	120
	66	92
38.75	72	64
	60	120
44	52	120
48	48	120
54	43	120
60	39	120
66	35	120
72	32	120

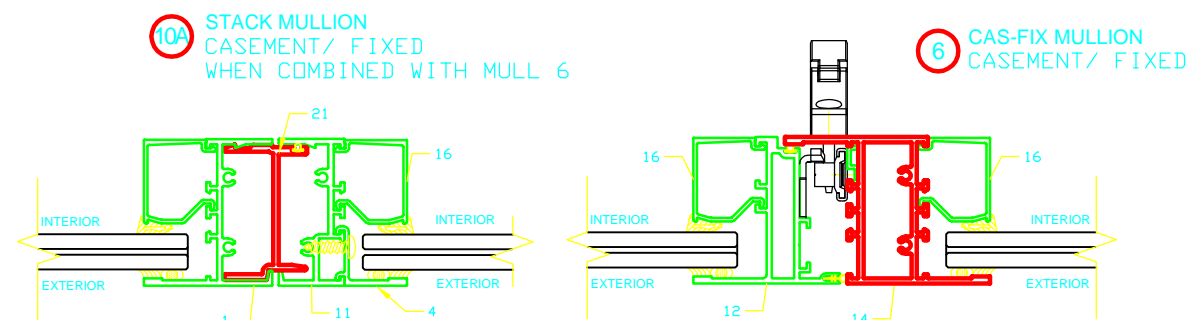
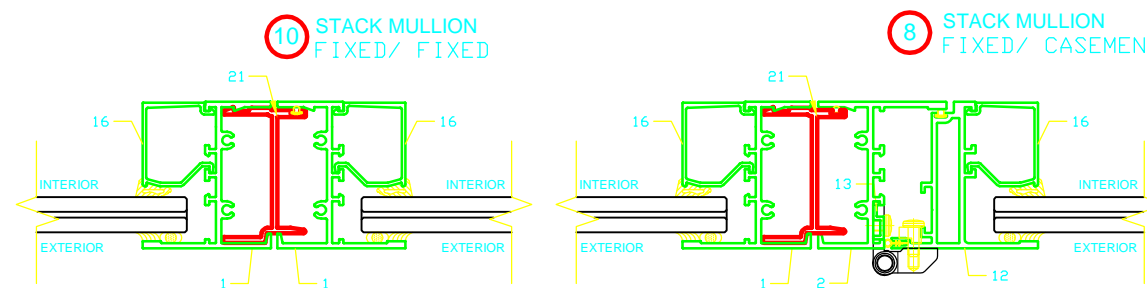
TM- MAXIMUM TRIBUTARY MODULE WIDTH IN INCHES
FH- MAXIMUM FINISHED HEIGHT IN INCHES
PRESSURES IN PSF



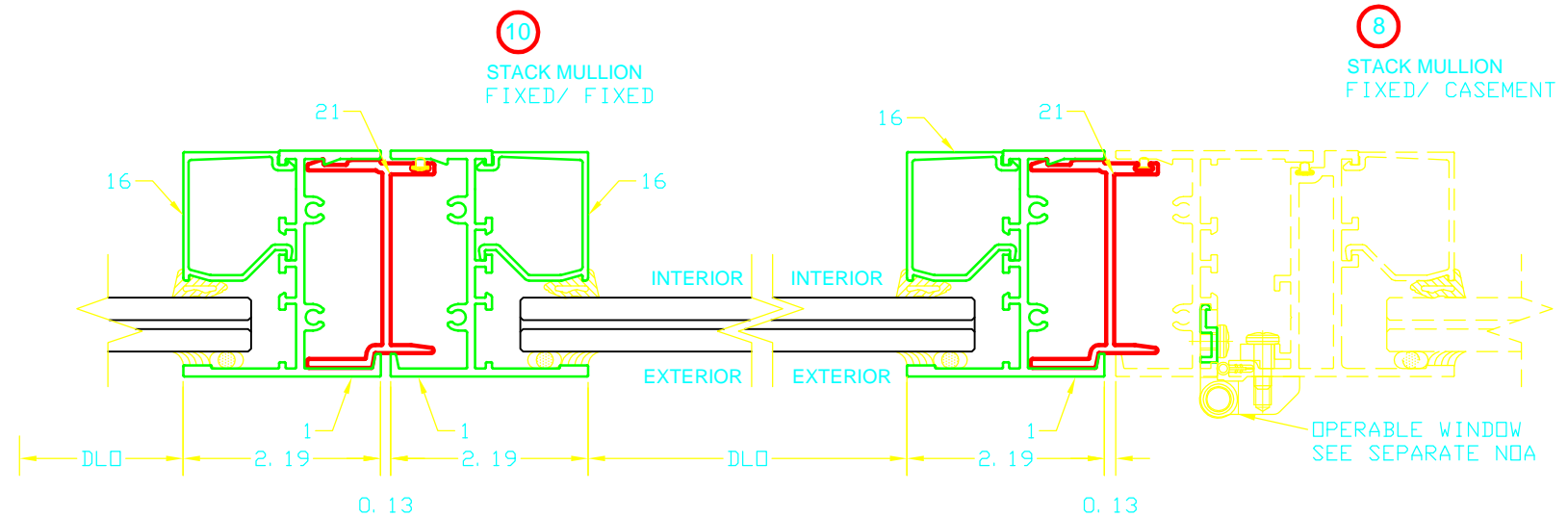
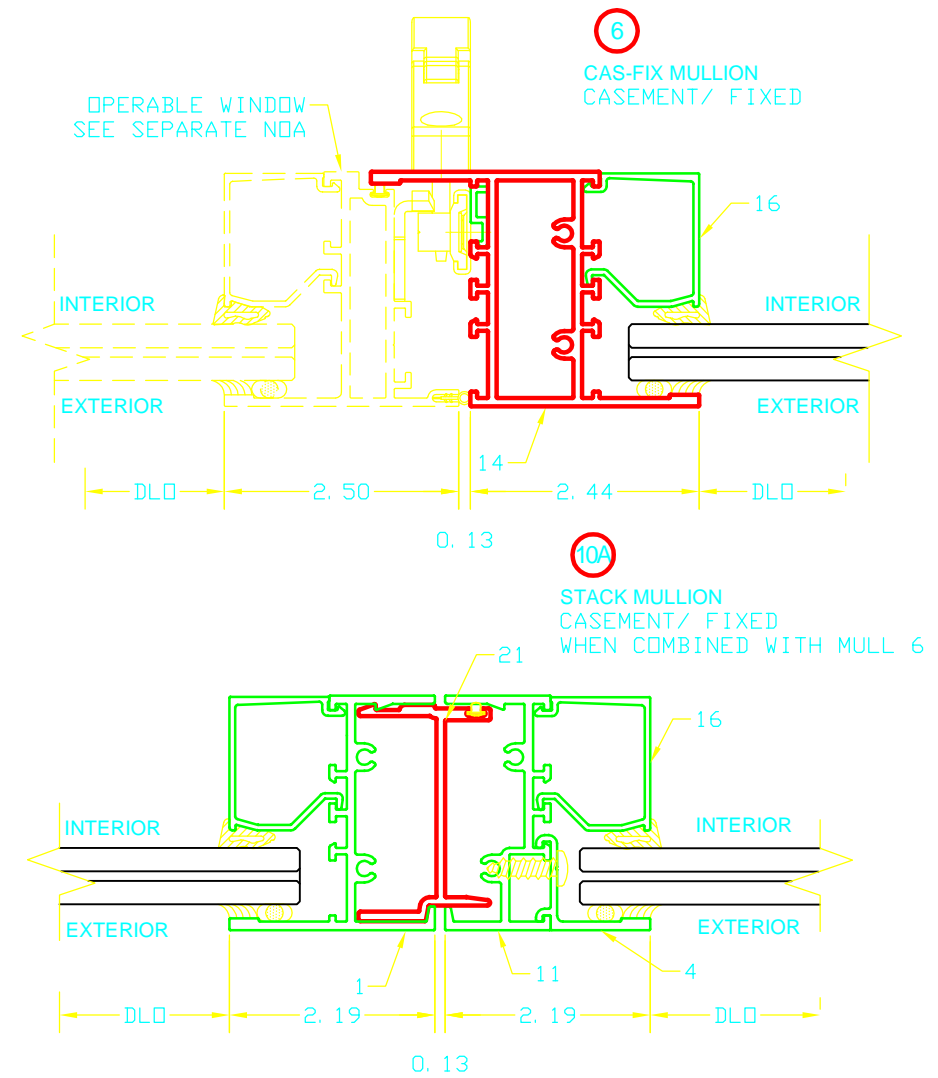
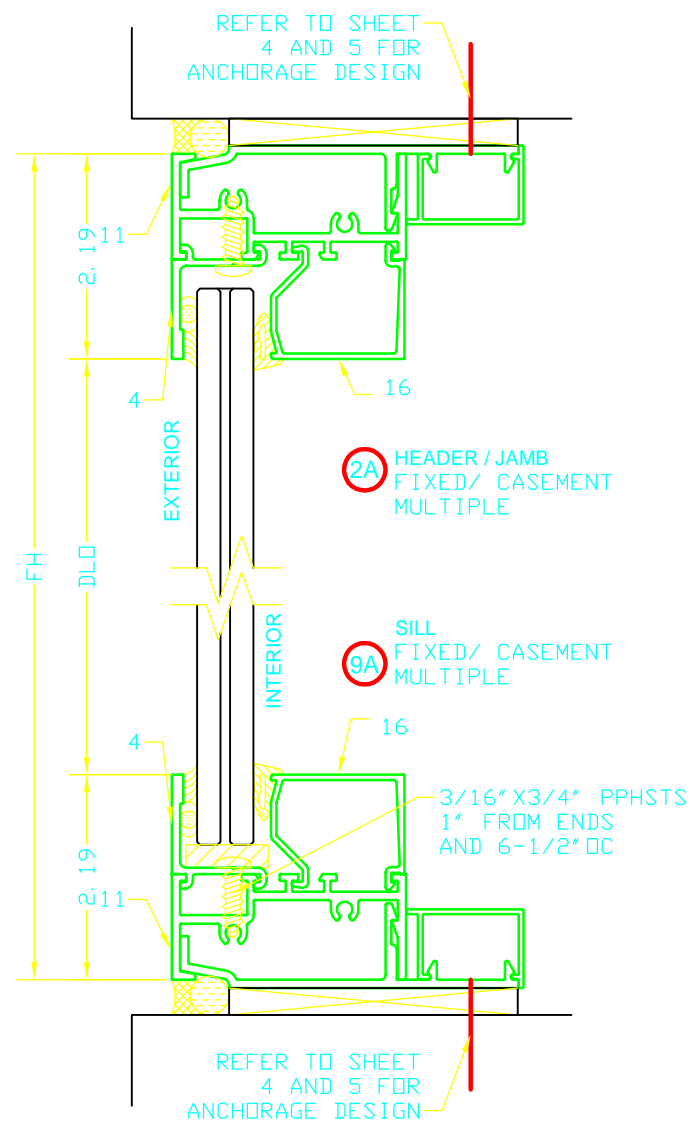
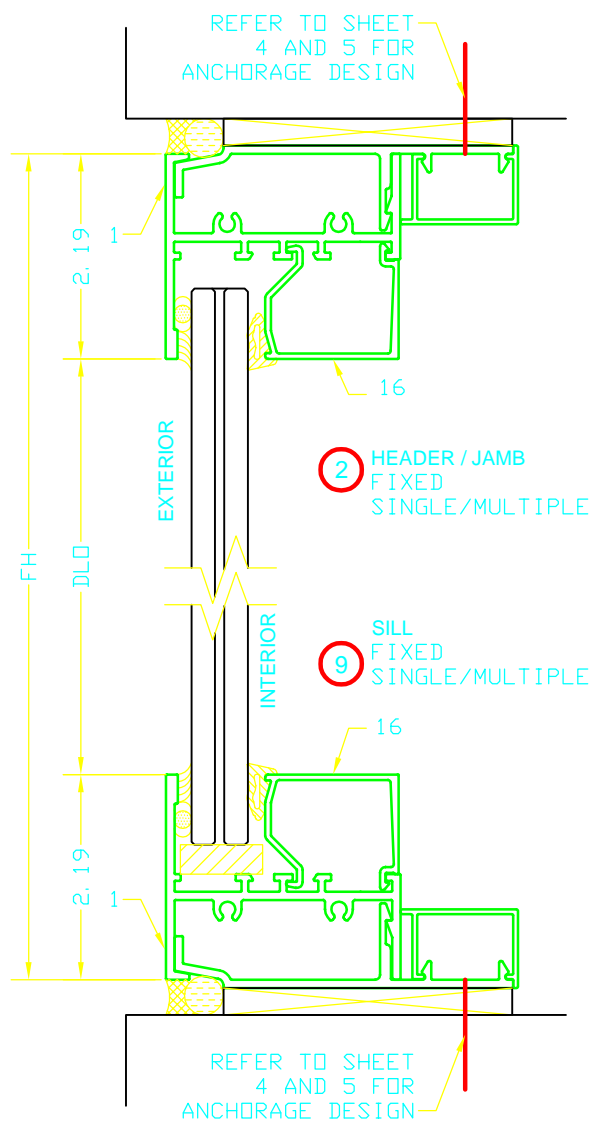
ALLOWABLE PRESSURE BASED ON THE MIN. PRESSURE FROM TABLE 1 & 2



ALLOWABLE PRESSURE BASED ON THE MIN. PRESSURE FROM TABLE 1, 2 AND CASEMENT WINDOW APPROVAL.



TYPICAL DETAILS



MANUFACTURER:
NR
ARCHITECTURAL PRODUCTS, INC.
4348 WESTROADS DRIVE
WEST PALM BEACH
FLORIDA - 33407
WWW.NRWINDOWS.COM
PH.: (561) 844-1121
FAX: (561) 844-6131

PRODUCT:
NRAP 2500-FX
FIXED WINDOW
SMALL MISSILE IMPACT

Engineering:
EngCo Inc.
CA 8116
6971 W. Sunrise Blvd. 104
Plantation, Fl. 33313
ENGCO@AOL.COM

Engineer Seal
Pedro De Figueiredo
PE 52609

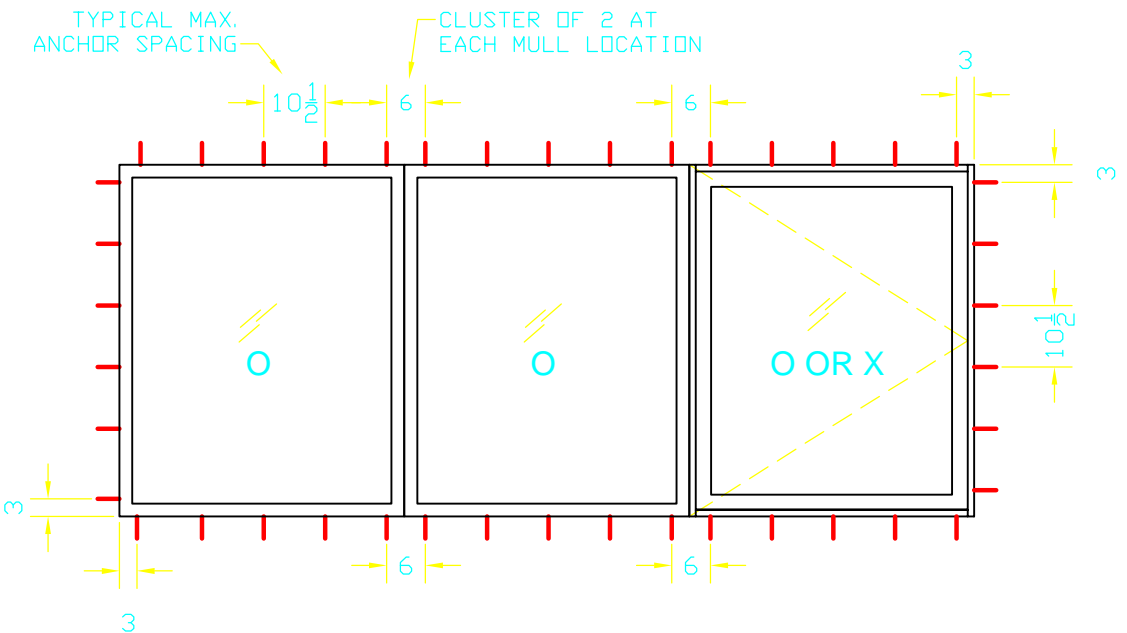
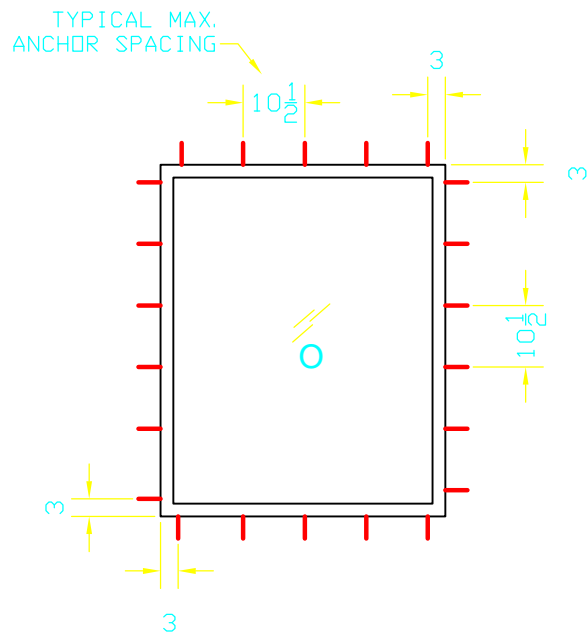
DRAFTING:
PK DRAFTING & MORE

MIAMI-DADE BCCO:

Date: 05/09/2009
Scale: NA
Design by: PPMF

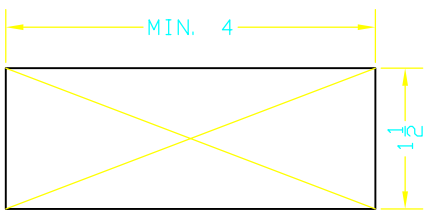
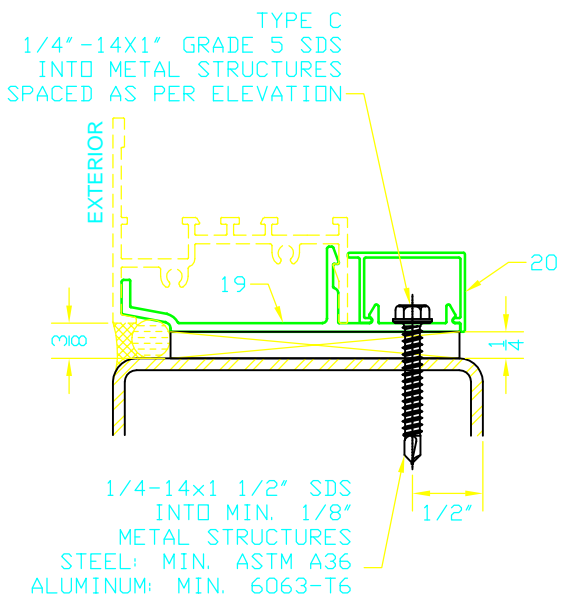
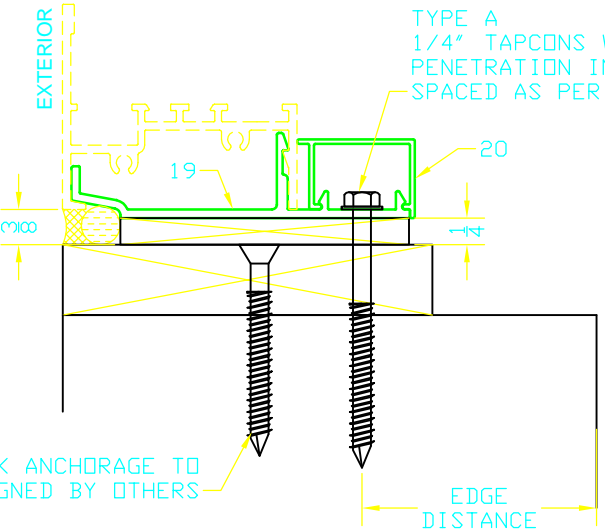
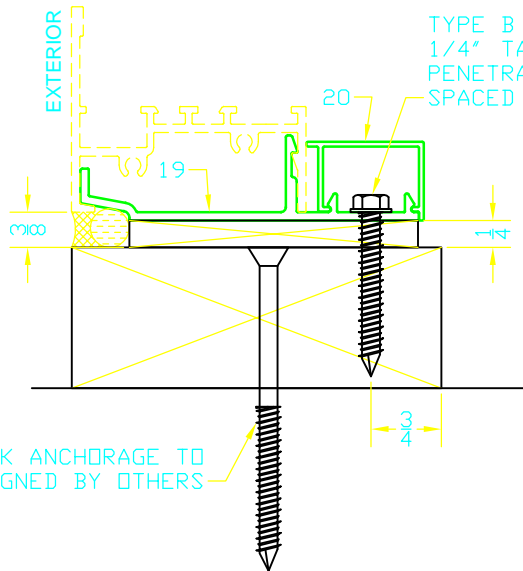
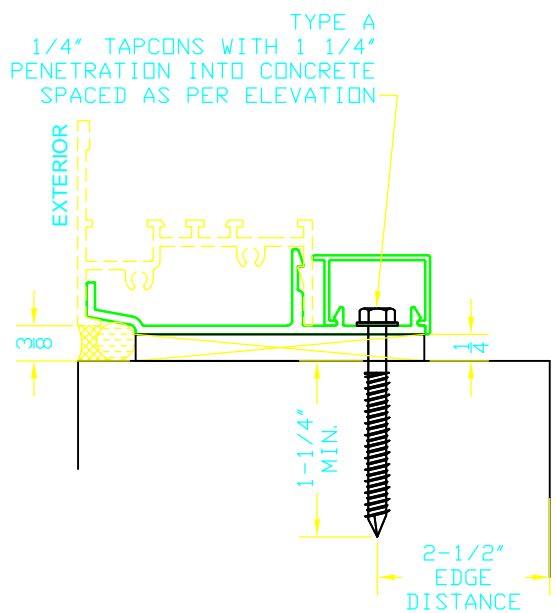
Drawing Number
09-094

SHEET
3 of 7



ANCHORAGE LAY-OUT WITH STRAP

TYPE	DESCRIPTION	PENETRATION	EDGE DIST.	SUBSTRATUM
A	1/4" TAPCONS	1 1/4"	2-1/2"	MASONRY OR CONCRETE
B	1/4" TAPCONS	1 1/2"	3/4"	INTO 2X BUCK (G>=0.55)
C	1/4"-14 SDS	1/8"	1/2"	6063-T6 ALUMINUM ASTM A36 STEEL



2X PRESSURE TREATED SOUTHERN PINE G>= .55



1X PRESSURE TREATED SOUTHERN PINE G>= .55

MANUFACTURER:
NR
ARCHITECTURAL PRODUCTS, INC.
4348 WESTROADS DRIVE
WEST PALM BEACH
FLORIDA - 33407
WWW.NRWINDOWS.COM
PH.: (561) 844-1121
FAX: (561) 844-6131

PRODUCT:
NRAP 2500-FX
FIXED WINDOW
SMALL MISSILE IMPACT

Engineering:
EngCo Inc.
CA 8116
6971 W. Sunrise Blvd. 104
Plantation, Fl. 33313
ENGCO@AOL.COM

Engineer Seal
Pedro De Figueiredo
PE 52609

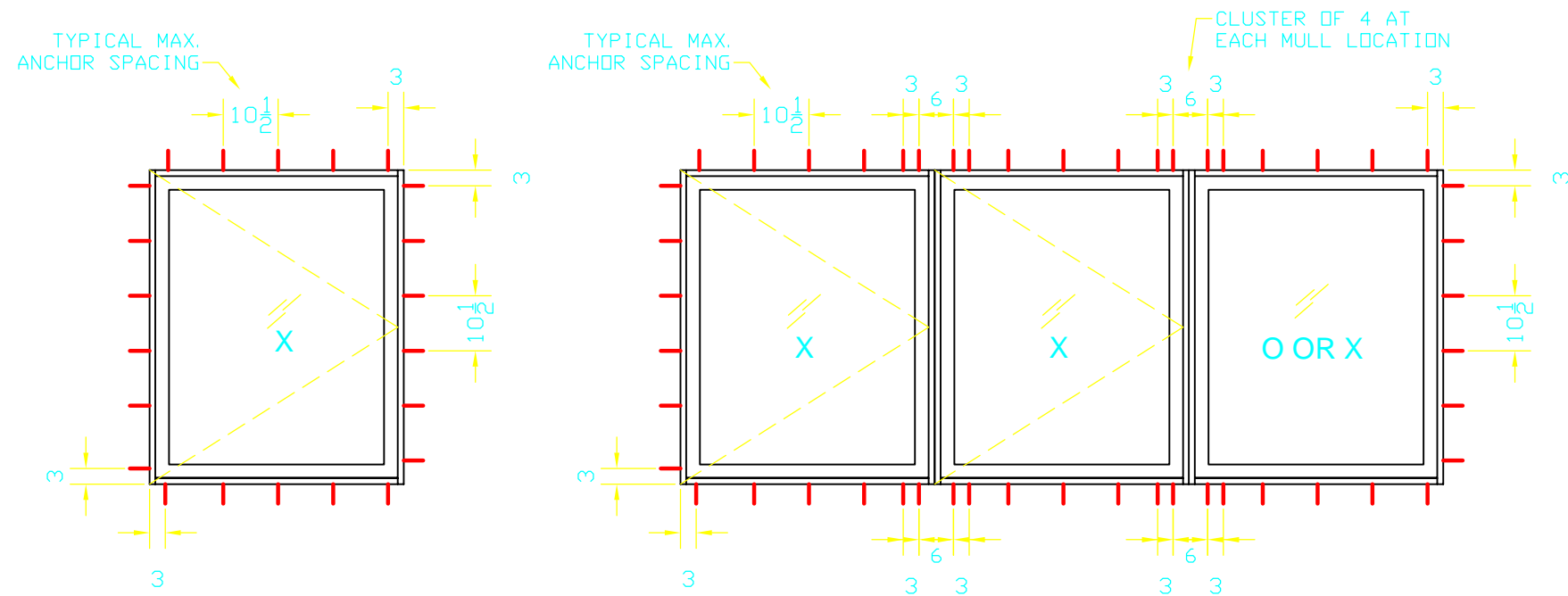
DRAFTING:
PK DRAFTING & MORE

MIAMI-DADE BCCO:

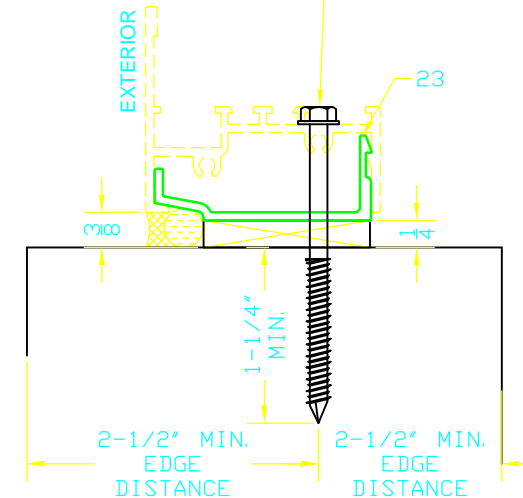
Date: 05/09/2009
Scale: NA
Design by: PPMF

Drawing Number
09-094

SHEET
4 of 7



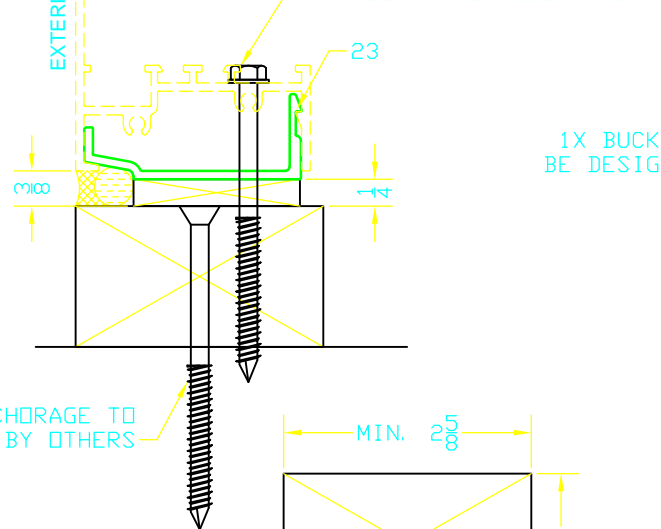
1/4" TAPCONS WITH 1 1/4" PENETRATION INTO CONCRETE SPACED AS PER ELEVATION



ANCHORAGE LAY-OUT WITH SHEAR CLIP

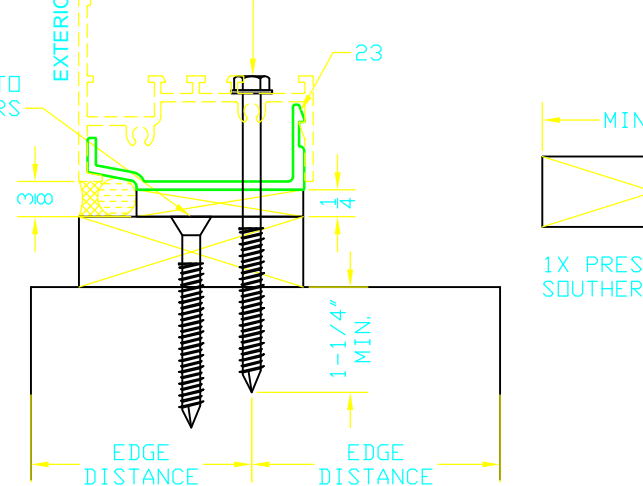
TYPE	DESCRIPTION	PENETRATION	EDGE DIST.	SUBSTRATUM
A	1/4" TAPCONS	1 1/4"	2-1/2"	MASONRY OR CONCRETE
B	1/4" TAPCONS	1 1/2"	3/4"	INTO 2X BUCK (G>=0.55)
C	1/4"-14 SDS	1/8"	1/2"	6063-T6 ALUMINUM ASTM A36 STEEL

1/4" TAPCONS WITH 1 1/2" PENETRATION INTO 2X BUCK SPACED AS PER ELEVATION

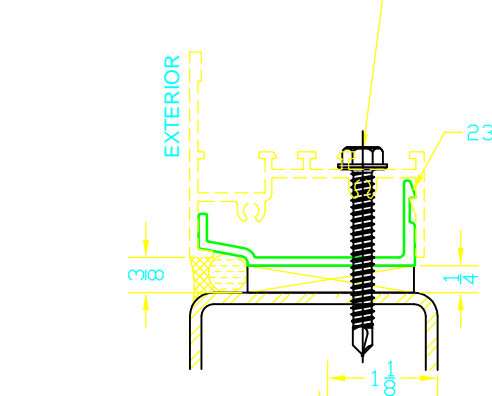


1X BUCK ANCHORAGE TO BE DESIGNED BY OTHERS

1/4" TAPCONS WITH 1 1/4" PENETRATION INTO CONCRETE SPACED AS PER ELEVATION



1/4"-14X2" SELF DRILLING SCREWS INTO METAL STRUCTURES SPACED AS PER ELEVATION



1/4"-14x1 1/2" SDS INTO MIN. 1/8" METAL STRUCTURES
STEEL: MIN. ASTM A36
ALUMINUM: MIN. 6063-T6

MANUFACTURER:

NR

ARCHITECTURAL PRODUCTS, INC.

4348 WESTROADS DRIVE
WEST PALM BEACH
FLORIDA - 33407
WWW.NRWINDOWS.COM
PH.: (561) 844-1121
FAX: (561) 844-6131

PRODUCT:

NRAP 2500-FX
FIXED WINDOW
SMALL MISSILE IMPACT

Engineering:

EngCo Inc.

CA 8116
6971 W. Sunrise Blvd. 104
Plantation, Fl. 33313
ENGCO@AOL.COM

Engineer Seal
Pedro De Figueiredo
PE 52609

DRAFTING:

PK DRAFTING & MORE

MIAMI-DADE BCCO:

Date: 05/09/2009
Scale: NA
Design by: PPMF

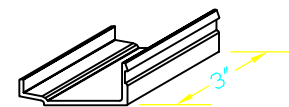
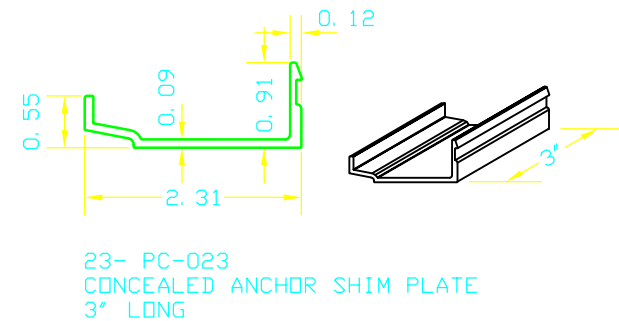
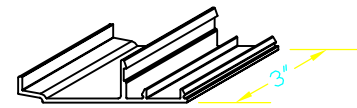
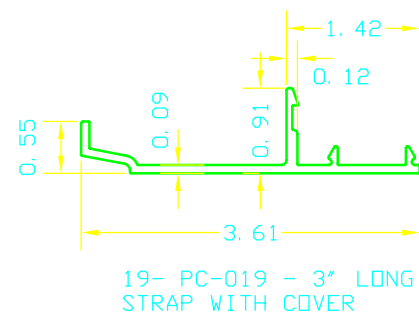
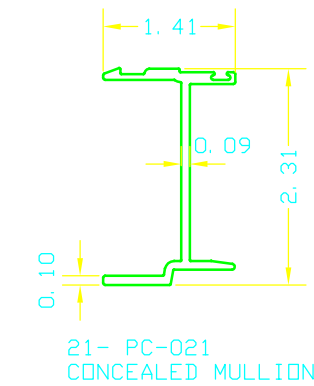
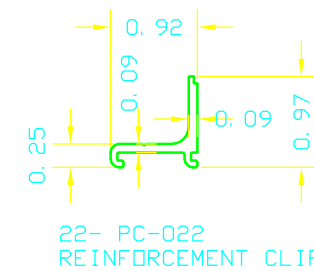
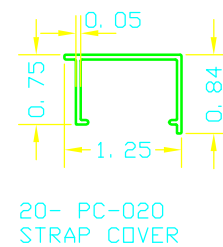
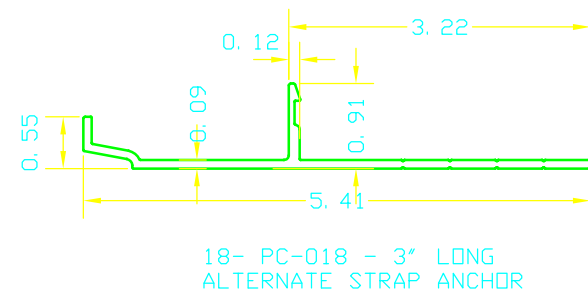
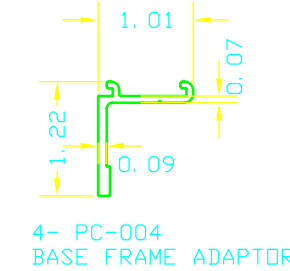
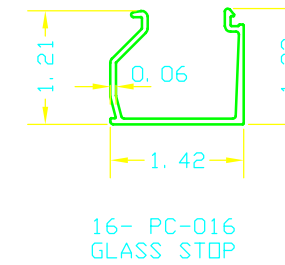
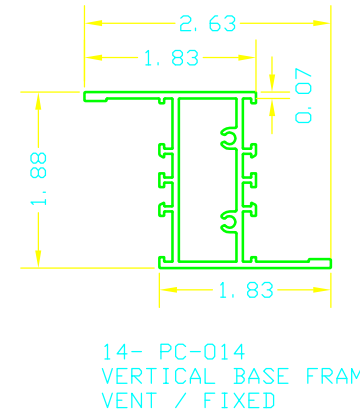
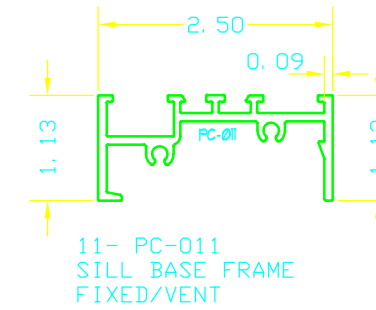
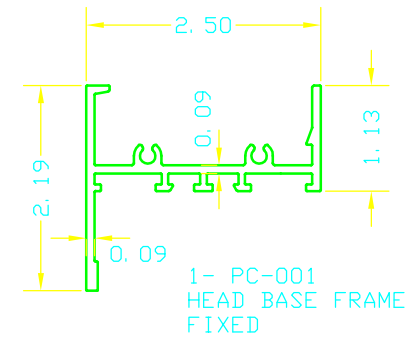
Drawing Number
09-094

SHEET
5 of 7

WINDOW COMPONENTS

COMPONENTS LIST

ITEM	PART#	DESCRIPTION	MATERIAL	SUPPLIER
1	PC-001	HEAD BASE FRAME (FIXED)	ALUMINUM 6063-T6	NR ARCHITECTURAL PRODUCTS
4	PC-004	BASE FRAME ADAPTOR	ALUMINUM 6063-T6	NR ARCHITECTURAL PRODUCTS
11	PC-011	SILL BASE FRAME (FIXED/OPERABLE)	ALUMINUM 6063-T6	NR ARCHITECTURAL PRODUCTS
14	PC-014	VERTICAL BASE FRAME (OPERABLE)	ALUMINUM 6063-T6	NR ARCHITECTURAL PRODUCTS
16	PC-016	GLASS STOP	ALUMINUM 6063-T6	NR ARCHITECTURAL PRODUCTS
18	PC-018	ALTERNATE STRAP ANCHOR	ALUMINUM 6063-T6	NR ARCHITECTURAL PRODUCTS
19	PC-019	STRAP ANCHOR	ALUMINUM 6063-T6	NR ARCHITECTURAL PRODUCTS
20	PC-020	STRAP ANCHOR COVER	ALUMINUM 6063-T6	NR ARCHITECTURAL PRODUCTS
21	PC-021	CONCEALED MULLION	ALUMINUM 6063-T6	NR ARCHITECTURAL PRODUCTS
22	PC-022	REINFORCEMENT CLIP	ALUMINUM 6063-T6	NR ARCHITECTURAL PRODUCTS
23	PC-023	CONCEALED STRAP ANCHOR	ALUMINUM 6063-T6	NR ARCHITECTURAL PRODUCTS
34	--	9/16" LAMINATED IMPACT GLASS	GLASS	DUPONT
36	NR-A24	VK2526 1/4" PVC SPACER	PVC	CAPITAL TAPE
37	--	GLAZING SEALANT DOW 983 II PART	SILICONE	DOW CORNING
38	--	GLAZING SEALANT DOW 995	SILICONE	DOW CORNING
39	NR-G20	PS 1126E POLY-WEDGE GASKET	70 DURO EPDM	TREMCO
40	NR-G21	EXT. WEATHERSEAL AP 150	EXTRUDED TAPE	SCHLEGEL
41	NR-G22	INT. WEATHERSEAL TLOK 150	POLYETHELENE	SCHLEGEL
43	NR-G25	GLASS SETTING BLOCK TR-1365E	70 DURO EPDM	TREMCO
44	--	PERIMETER SEALANT DOW 795	SILICONE	DOW CORNING
45	--	FRAME JOINT SEALANT	SILICONE	CRL BUILDING PRODUCTS
46	NR-F12	BASE FRAME FIXING SCREWS	STAINLESS STEEL	#10X1 PPH TSEK SCREW
47	NR-F13	ADAPTOR FIXING SCREW	STAINLESS STEEL	#12 X 3/4" PP TEK SREW
48	NR-EP1	1/16"-2-1/2"X5/16" END PLATE	6063-T6 ALUMINUM	NR ARCHITECTURAL PRODUCTS



MANUFACTURER:

NR

**ARCHITECTURAL
PRODUCTS, INC.**

4348 WESTROADS DRIVE
WEST PALM BEACH
FLORIDA - 33407
WWW.NRWINDOWS.COM
PH.: (561) 844-1121
FAX: (561) 844-6131

PRODUCT:

NRAP 2500-FX
FIXED WINDOW
SMALL MISSILE IMPACT

Engineering:

EngCo Inc.

CA 8116
6971 W. Sunrise Blvd. 104
Plantation, Fl. 33313
ENGCO@AOL.COM

Engineer Seal
Pedro De Figueiredo
PE 52609

DRAFTING:

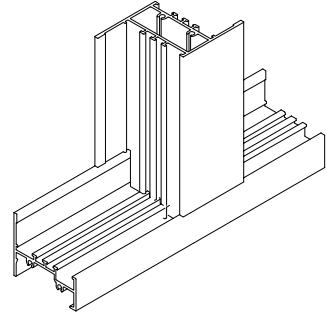
PK DRAFTING & MORE

MIAMI-DADE BCCO:

Date: 05/09/2009
Scale: NA
Design by: PPMF

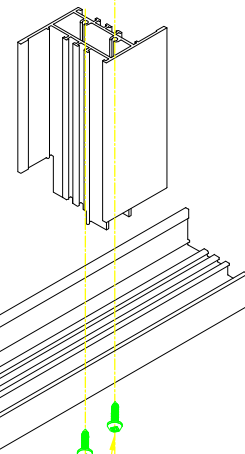
Drawing Number
09-094

SHEET
6 of 7

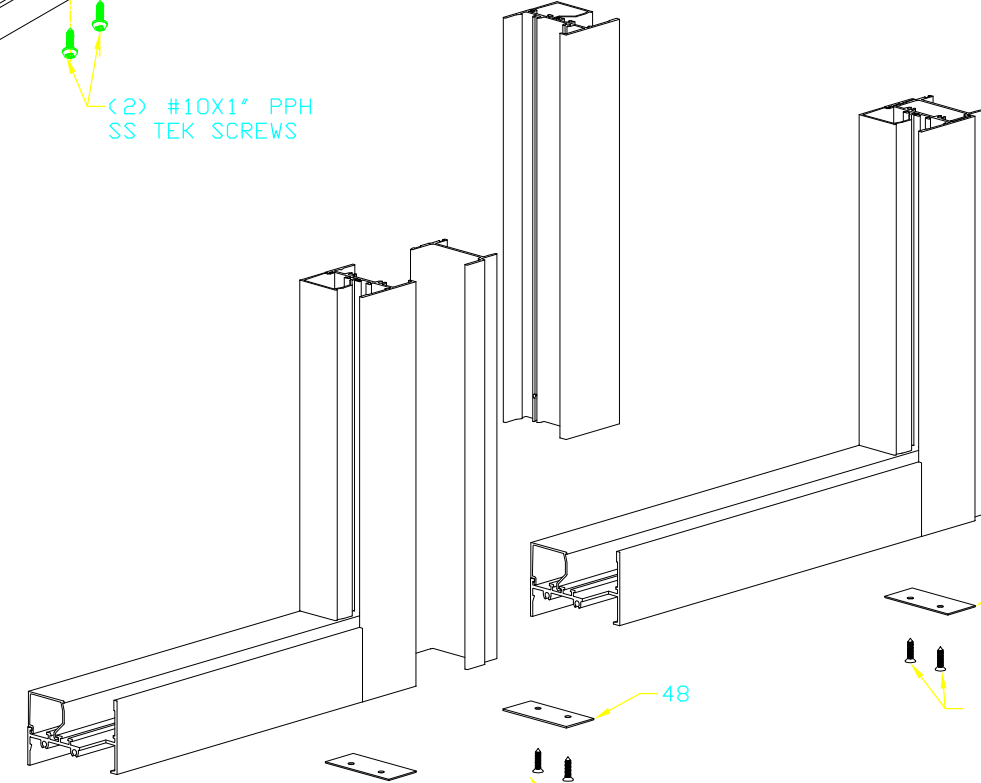


CAS-FIX MULLION
CASEMENT/ FIXED

CORNER ASSEMBLY



(2) #10X1" PPH
SS TEK SCREWS



(2) #10X1" PPH SS
TEK SCREW

48

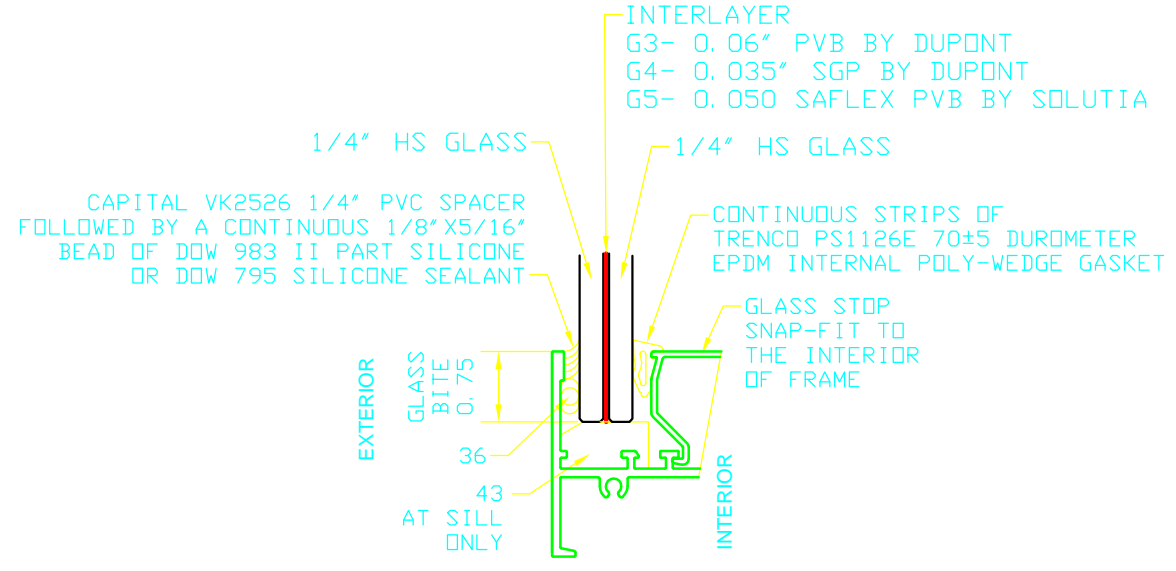
(2) #10X3/4" PHSMS

(2) #10X3/4" PHSMS

(2) #10X3/4" PHSMS

48

GLAZING DETAIL



MANUFACTURER:
NR
ARCHITECTURAL PRODUCTS, INC.
4348 WESTROADS DRIVE
WEST PALM BEACH
FLORIDA - 33407
WWW.NRWINDOWS.COM
PH.: (561) 844-1121
FAX: (561) 844-6131

PRODUCT:
NRAP 2500-FX
FIXED WINDOW
SMALL MISSILE IMPACT

Engineering:
EngCo Inc.
CA 8116
6971 W. Sunrise Blvd. 104
Plantation, Fl. 33313
ENGCO@AOL.COM

Engineer Seal
Pedro De Figueiredo
PE 52609

DRAFTING:
PK DRAFTING & MORE

MIAMI-DADE BCCO:

Date: 05/09/2009
Scale: NA
Design by: PPMF

Drawing Number
09-094

SHEET
7 of 7